



CP-4T

KEEPERS OF THE SOUND



COMPACT, HIGH PERFORMANCE INDOOR/OUTDOOR 70/100 VOLT LOUDSPEAKER

The Klipsch Compact Performance CP-4T with its smaller, aesthetic design is the perfect distributed sound solution when high-value and high-performance are top priorities. It is a versatile 70/100 Volt distributed audio solution whether operation is indoors or out. The proprietary Tractrix® Horn provides high efficiency that reproduces sound with unmatched low-distortion clarity and detail. The conical-shaped, long-throw woofer is designed for minimal cone breakup for more accurate low frequency response and is reinforced with dual, front-firing ports in a bass-reflex design for maximum bass output wherever the speaker is located. Traditional Klipsch efficiency provides maximum output with its single, built-in 5-watt tap setting.

EASY INSTALLATION WITH A REFINED LOOK

The CP-4T, offered in a paintable Black or White cabinet with matching grille, has the ability to be tightly mounted into a wall-to-wall or wall-to-ceiling corner with its V-shaped rear profile. The solid, reinforced cabinet has an appealing look from all angles with the included bracket an integral part of the design. The unique front-attachment of the bracket combined with front baffle speaker terminals assures a safe, easy, one-screwdriver installation. Tool-free 15° increment angle adjustment makes positioning a breeze. If needed, the CP-4T is provided with dual 1/4", 20 thread, rear-positioned inserts for utilization of a third party bracket for special applications such as pole-mounting and/or a safety cable attachment.

OUTPUT THAT OUTPACES ITS DIMINUTIVE SIZE

The CP-4T's high efficiency provides sound reproduction at even foreground music levels with its built-in 5 watt tap setting. The 90° x 90° horn dispersion pattern assures wide, even coverage in either a horizontal or vertical position.

SPECIFICATIONS

FREQUENCY RESPONSE ¹	100Hz-22kHz +/- 3dB
POWER HANDLING ²	5 watt fixed @ 70V/10 watt fixed @ 100V
MAXIMUM CONTINUOUS OUTPUT ³	94 dB @ 70V/97 dB @ 100V
SENSITIVITY ⁴	91 dB
NOMINAL IMPEDANCE	N/A
TWEETER	.75" (1.9cm) aluminum dome tweeter
HIGH FREQUENCY HORN	90° x 90° Tractrix® Horn
WOOFER	3.5" (8.9cm) long-throw IMG woofer
CROSSOVER FREQUENCY	3.2kHz 12dB octave
ENCLOSURE TYPE	Bass-reflex via dual front-firing ports
ENCLOSURE MATERIAL	Anti-resonant, mineral-filled PPC; paintable, weather resistant
GRILLE	Powder-coated aluminum w/rotatable logo
TERMINALS	Front baffle mounted accessed via rear pull-through
SPEAKER WEIGHT	4.8 lbs. (2.2kg)
SPEAKER DIMENSIONS	8.8"(22.4cm) H x 5.5"(14.0cm) W x 4.7"(11.9cm) D
SPEAKER DIMENSIONS W/WALL MOUNT	8.8"(22.4cm) H x 5.5"(14.0cm) W x 5.5"(14.0cm) D
OTHER MOUNTING OPTIONS	1/4", 20-thread inserts on cabinet rear
FINISHES	White/Black enclosure and grille
WIRE GAUGE ACCOMMODATED	up to 16AWG
SOLD AS	Speaker pairs
INCLUDED IN CARTON	Speakers (x2), Grilles (x2), Brackets (x2), Manual, Mounting Template, Bracket Retaining Screws (x4), Safety Instructions, Grille Removal Tool
CARTON DIMENSIONS	12.6"(320mm) H x 17.3"(440mm) W x 9"(230mm) D
TOTAL CARTON WEIGHT	10.8 lbs.(4.9kg)
ITEM NUMBER	1060386 (white), 1016296 (black)
UPC	743878027020 (white), 743878025972 (black)
BUILT FROM	2014

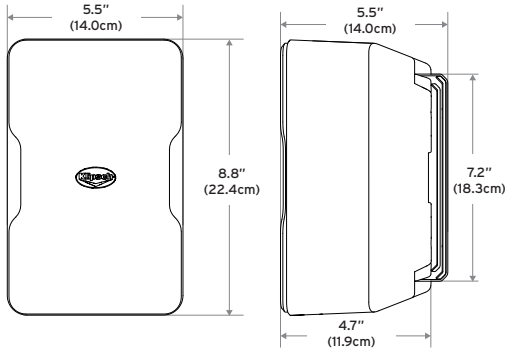
¹ 3M anechoic

² IEC 268-5 filtered pink noise with 6dB crest factor

³ Calculated at 1M at power handling power input

⁴ SPL at 1M, anechoic with 2.83V input

CP-4T



TOOLS NEEDED FOR CP-4T WALL-MOUNT INSTALLATION:

- a) Level
- b) One pencil
- c) 1 Philips #2 screwdriver OR One Power Drill with A LOW TORQUE SETTING and a Philips #2 screwdriver bit
- d) Four #10 or #12, 2.5-3" (4-5cm) Pan head Screws (Two for each speaker bracket) for mounting into wall stud OR Four minimum 10 lb. (5kg) Wall Anchors if stud-mounting is unavailable

TIPS ON DESIGNING/INSTALLING A 70/100 VOLT AUDIO DISTRIBUTION SYSTEM WITH KLIPSCH CP-4T SPEAKERS:

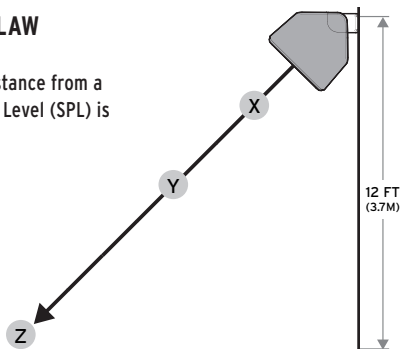
Using a quality SPL meter, first determine the ambient noise level of the business you are designing a system for. Then determine the area(s) the customer wants to cover and if they desire a Background or Foreground music system for their particular business.

- Ambient Noise Levels: Measure at peak business hours to determine highest level
- Background Music Levels: Usually 3-6 decibels (dB's) above the ambient noise level in an area
- Foreground Music levels: 10+ dB's above the ambient noise level (used in high-energy environments)

When determining speaker heights to mount over a given area, note the Inverse Square Law for sound and the fact that when placing a speaker in a corner 3 dB additional output (+3dB) is obtained. In an area people are seated calculate coverage to 3.5 ft. (1m) from floor, in an area people stand 5 ft. (1.5m) from floor

INVERSE SQUARE LAW

For every doubling of distance from a speaker Sound Pressure Level (SPL) is reduced by 6dB (-6dB)

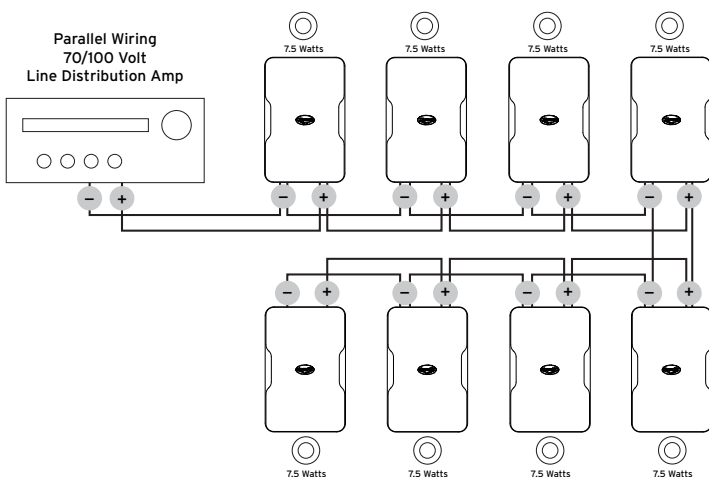
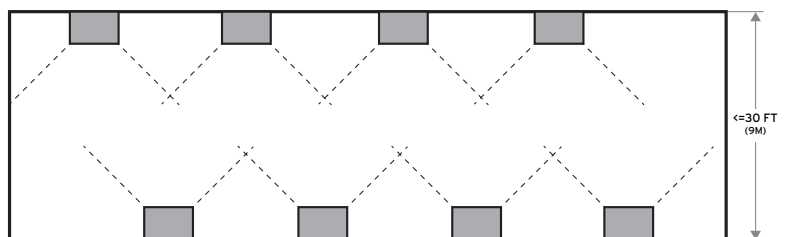


SPEAKER IN WALL/CEILING OR WALL/WALL

EXAMPLE: Speaker in Corner (+3dB)
 CP-4T Sensitivity: 91 dB@1 watt, 1 meter
 TAP: 5 watts
 X (1m) = 100 dB
 Y (2m) = 94 dB
 Z (4m) = 88 dB

EXAMPLE: Speaker on Wall
 CP-4T Sensitivity: 91 dB@1 watt, 1 meter
 TAP: 5 watts
 X (1m) = 97 dB
 Y (2m) = 91 dB
 Z (4m) = 85 dB

Space speakers on wall all at the same height aimed down toward listening area. Space according to coverage pattern (90°). Stagger opposing speakers if within 30 ft. (9m) on opposite wall. Closer spacing produces most even coverage. Avoid obstacles in front of speakers For more reverberant rooms mount speakers lower at 8-12 ft. (2.4-3.7m) from floor.



Choose a 70/100 Volt Line Distribution Amplifier based on total wattage needed to power amount of speakers PLUS, we recommend, 50% additional power to cover additional dynamic headroom/future expansion. Wire all speakers in parallel.

Example: Eight CP-4T speakers tapped at 5 watts each = 8 x 5 = 40 watts + additional 50% wattage = 60 watt amplifier