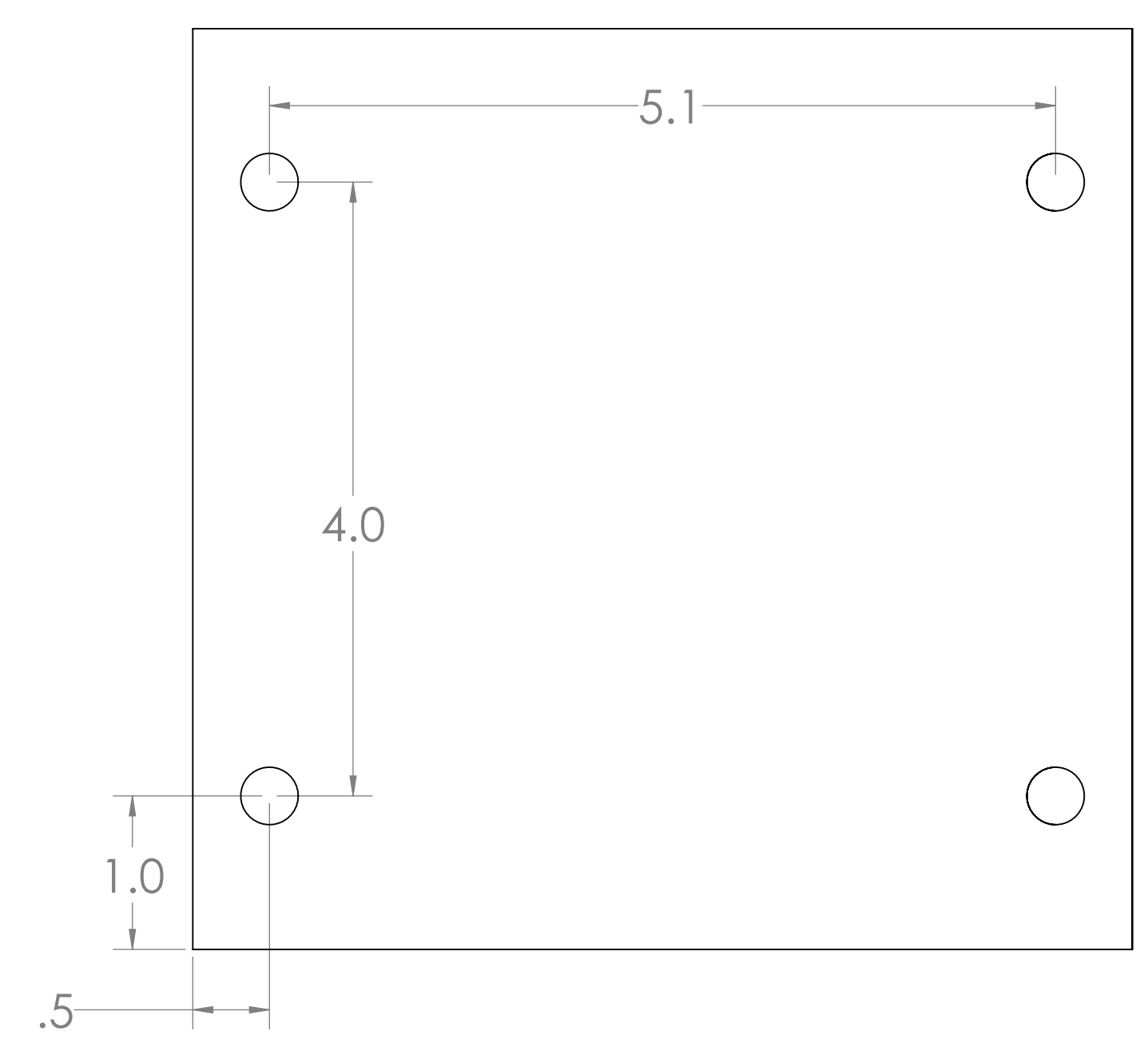
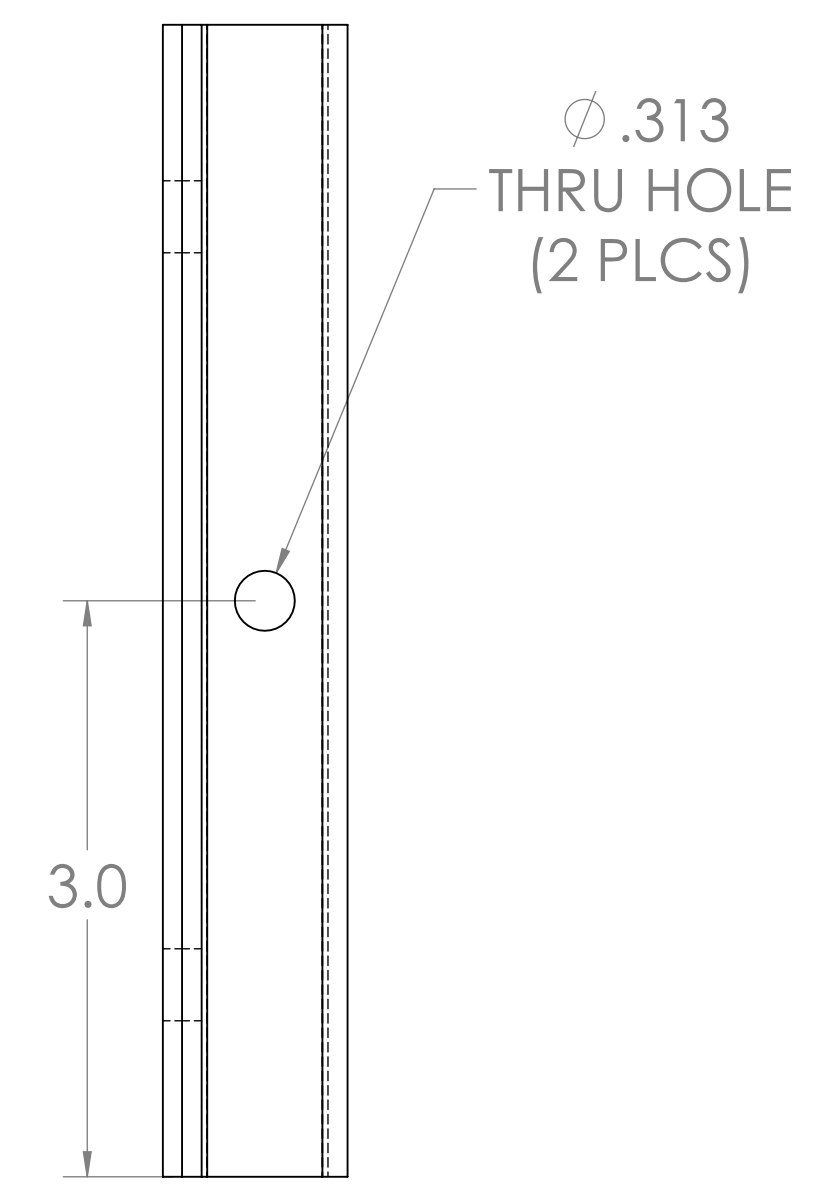
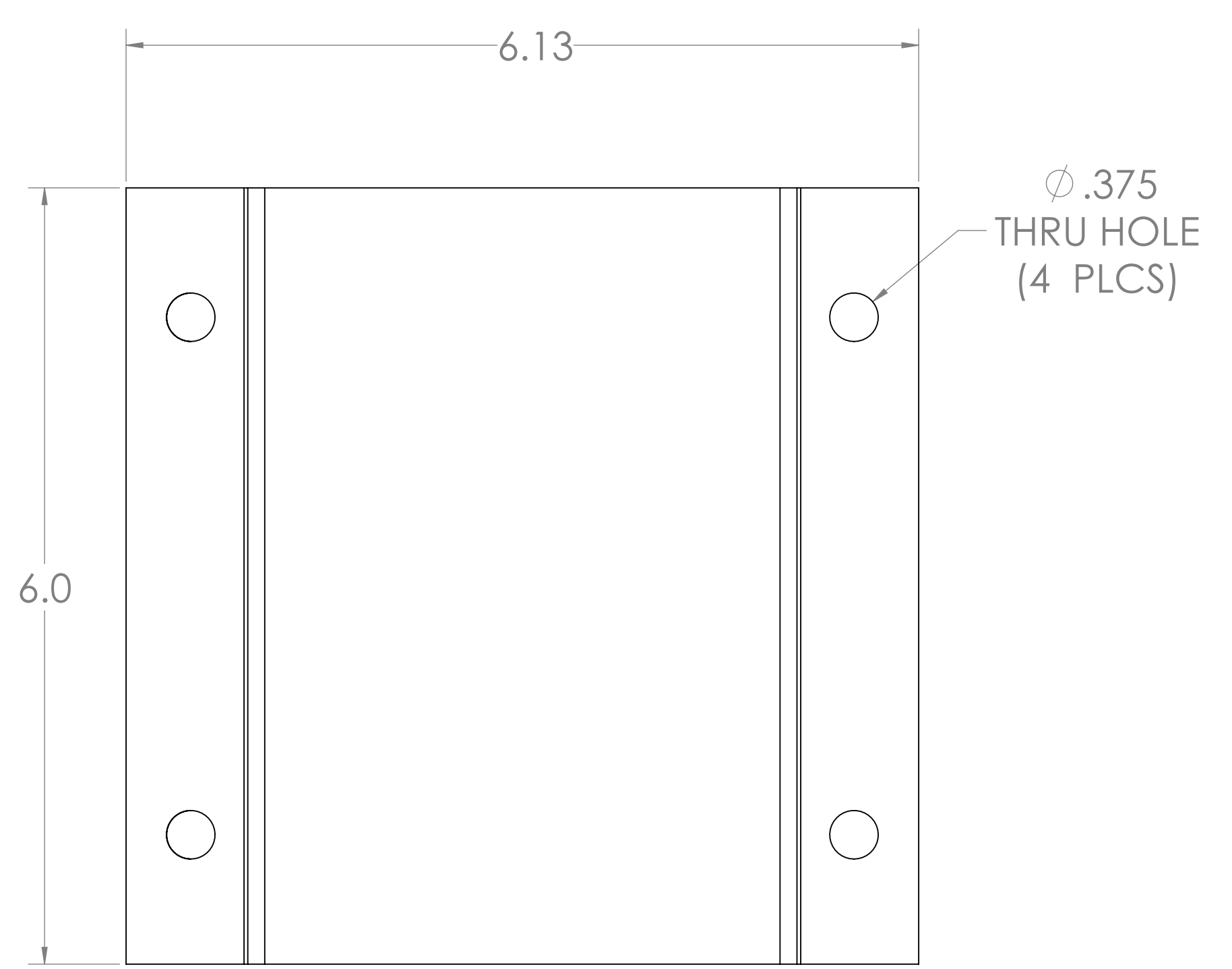
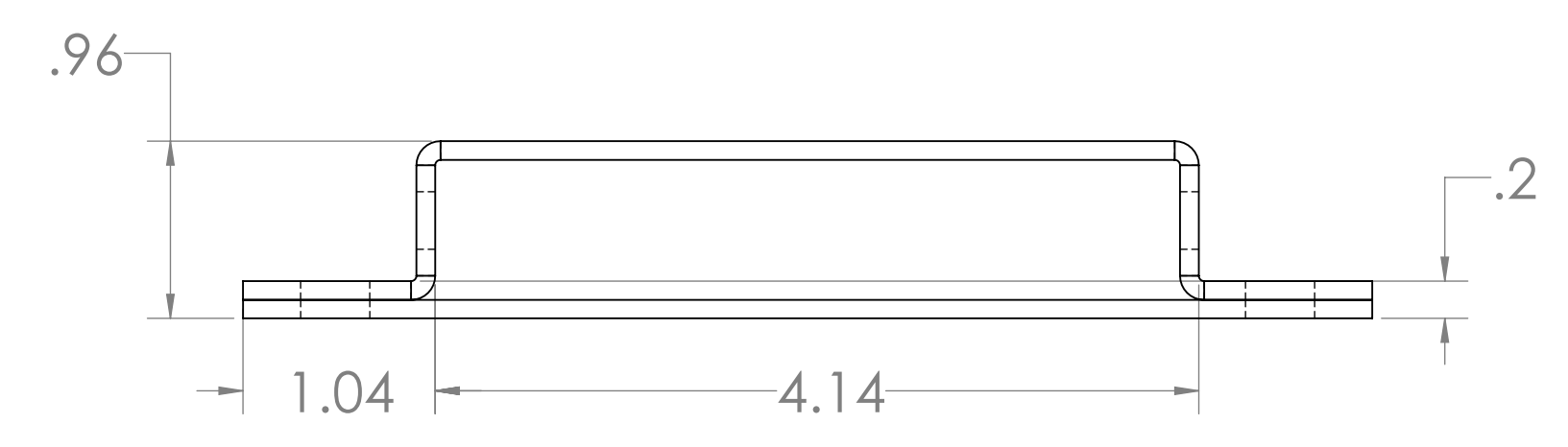
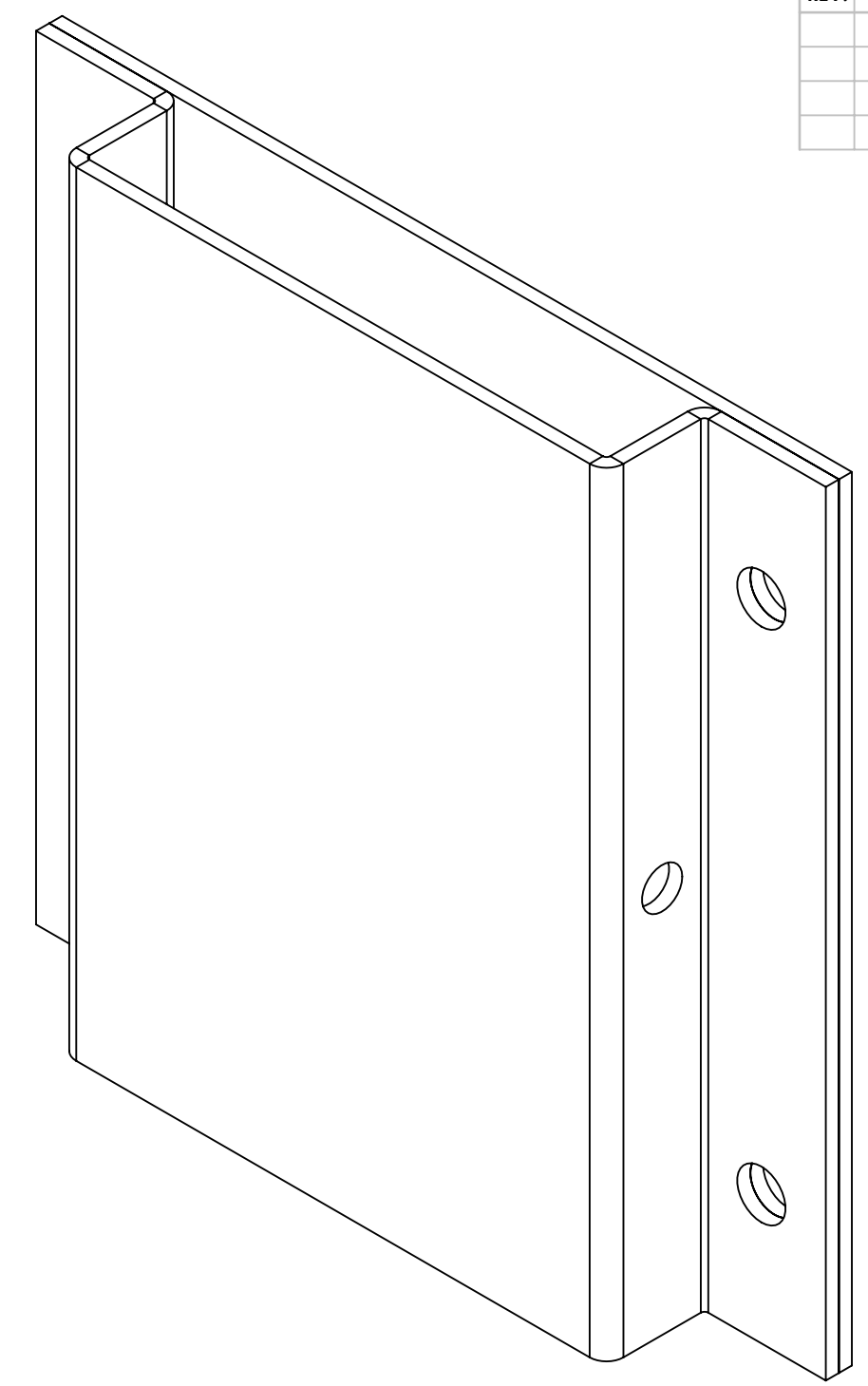


REVISIONS				
REV.	ECO NO.	DESCRIPTION	DATE	APPROVED

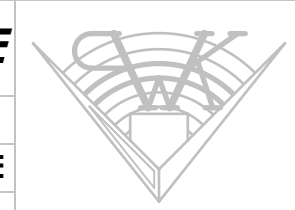


THE INFORMATION IN THIS DOCUMENT IS THE PROPERTY OF KLIPSCH L.L.C. AND CONTAINS PROPRIETARY AND CONFIDENTIAL INFORMATION. THIS DOCUMENT IS GIVEN FOR THE PURPOSE OF QUOTATION OR PROCUREMENT AND THE INFORMATION CONTAINED HEREIN SHALL NOT BE DISCLOSED TO OTHERS, OR BE REPRODUCED FOR ANY OTHER PURPOSE WITHOUT THE EXPRESS WRITTEN CONSENT OF KLIPSCH L.L.C.

WHERE USED	MATERIAL SPECIFICATIONS

TOLERANCES UNLESS OTHERWISE SPECIFIED	
DECIMAL	FRACTION
.XXX ± .020	± 1/64
	ANGLE ± 1°
	FINISH
32	[0.8]

DO NOT SCALE	
APPROVALS	
SIGNATURES	DATE
ORIGINATOR:	
CHECKER:	
ENGINEER:	
MFG ENG:	
REVISED BY:	



Klipsch
GROUP INC.
137 HEMPSTEAD ROAD
278
HOPE, AR 71801

TITLE: **SB-9 RECIEVER PLATE**
DWG. NO.
SCALE: 1:1 SHEET: 1 OF 1