

(



&

%

\$

5

F9J -G-CBG			
F9J " 97B BC"	89G7 F-DHC B	85H9	5DDFCJ 98
	
	
	

[&* +"- +a a]
 %\$"))]b
 [&(&") +a a]
 -"))]b
 [))") , a a]
 &"%&]b

[' &%-') a a]
 %&"* ,]b
 [))") , a a]
 &"%&]b

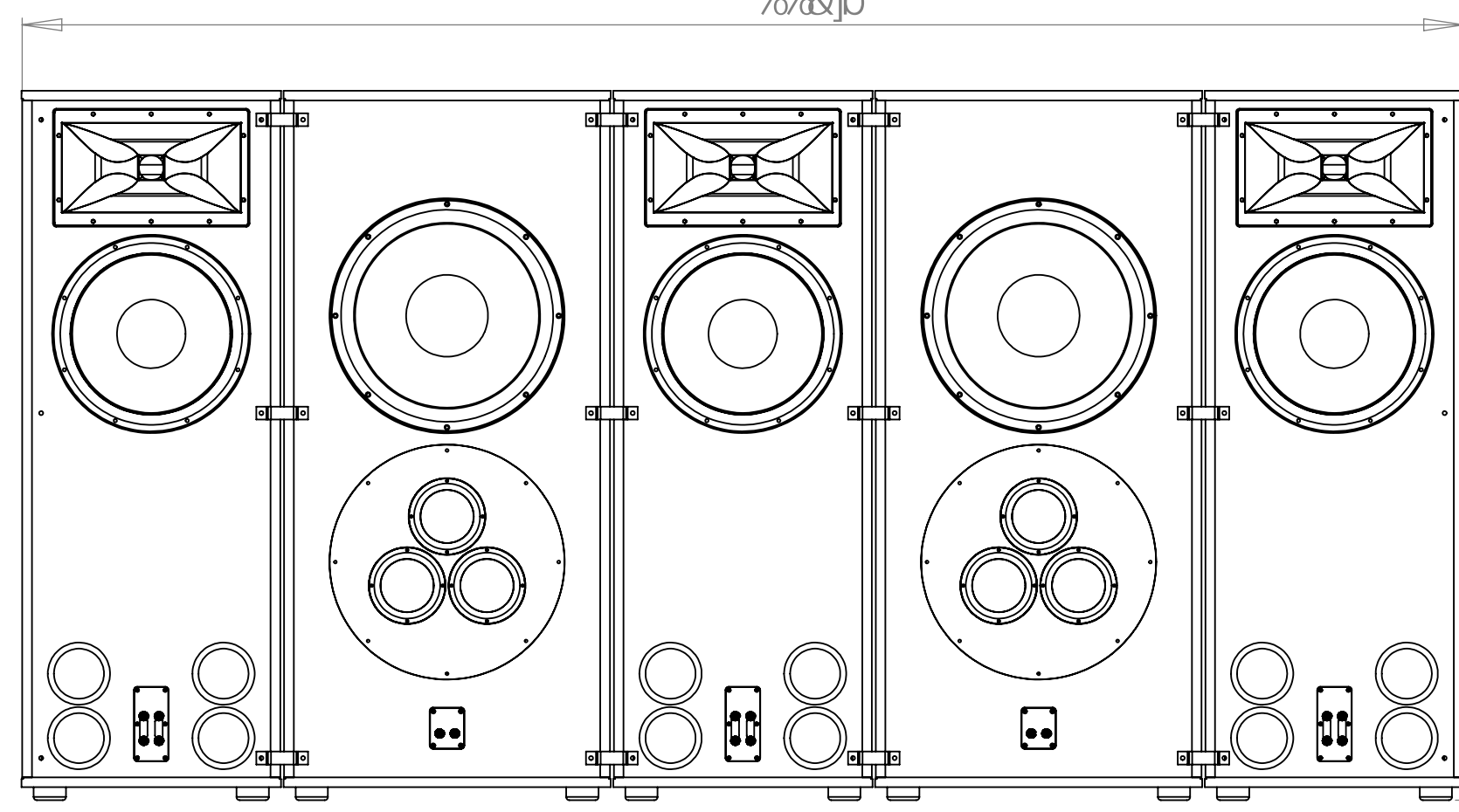
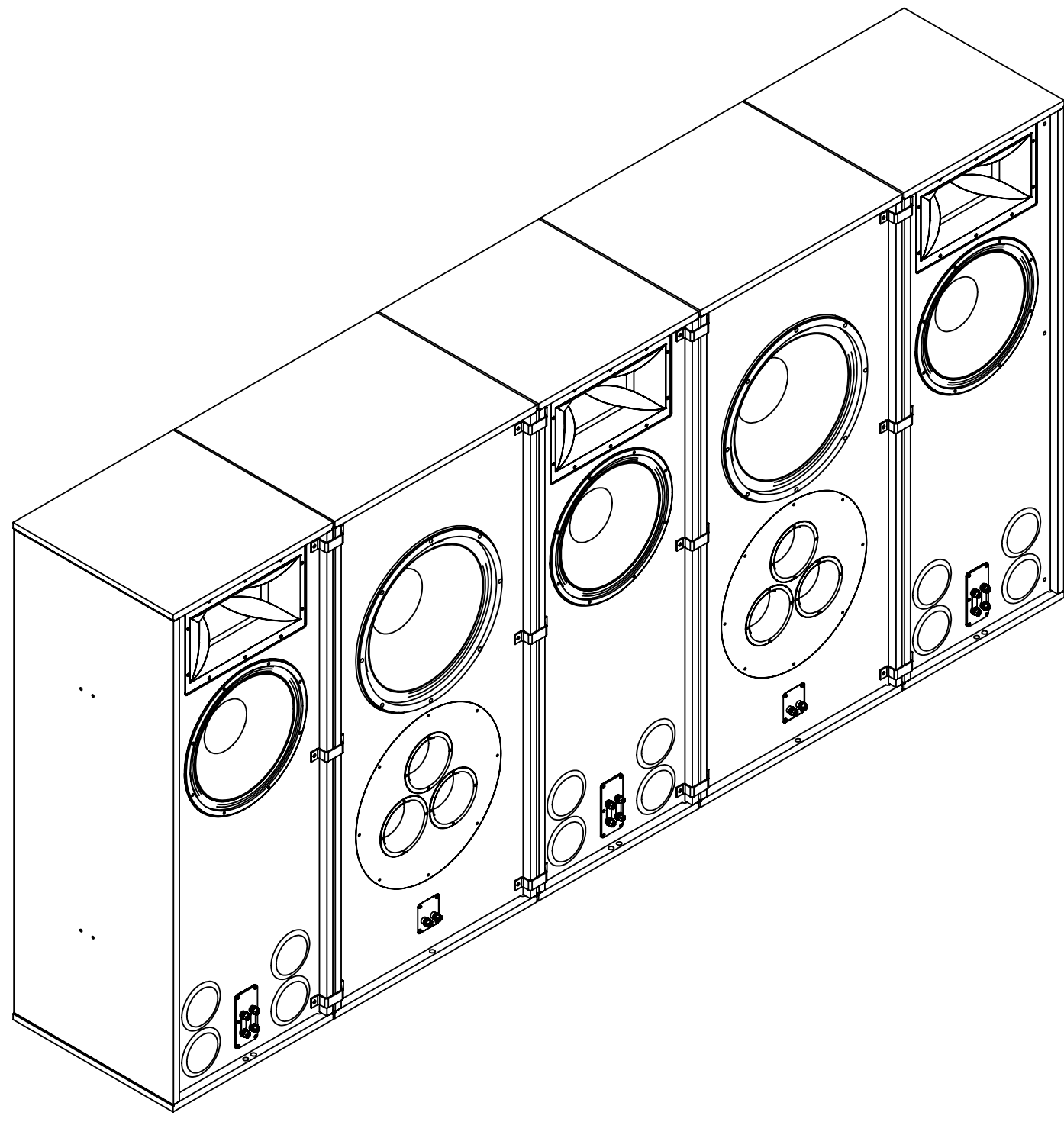
6C HCA 'J -9K

[' -- "' -a a]
 %&" +&]b

[) ' &" + (a a]
 &\$" - +]b

[& , ((" , a a]
 %&"&]b

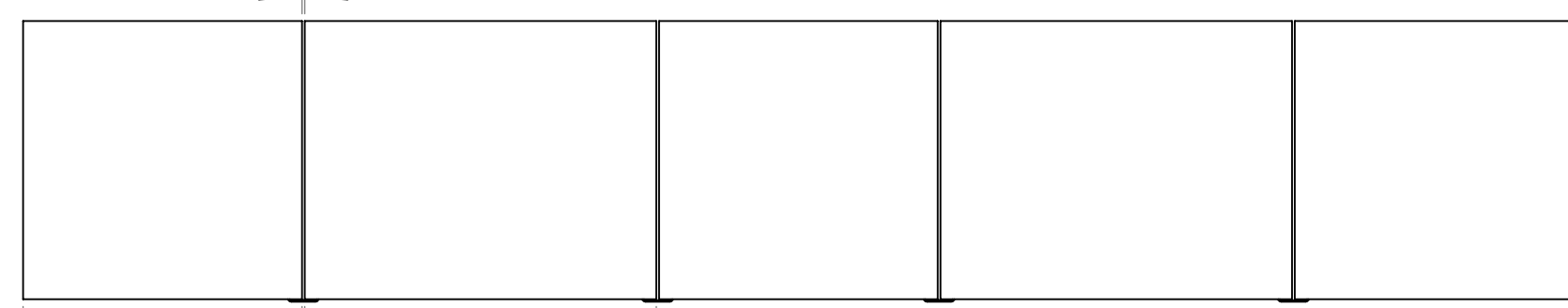
[) % (" ") a a]
 &\$" &)]b



[% - + a a]
))]b

G-8 9' J -9K

[) "\$, a a]
 &\$" &]b



[* (' " , - a a]
 &) " ")]b

HC D'J -9K

[) %\$") (a a]
 &\$" %&]b

VJ G'PHOTO CVKOP 'P' VJ R'FQEWOPV"
 R'VJ G'RIQRTV' 'QHMRUEJ 'NNE
 CPF'EQPVCR'URTORTKVC' 'CPF
 EQPHFC'PVKN'PHOTO CVKOPVJ R'
 FOEWO GPV'R'U' &G' 'HOT' VJ G'
 R'WTRQG'QHS'WQVC'ROP' Q' "
 RTQEW'GO GPV'CPF'VJ G'PHOTO CVKOP'
 EQPVCR'G'J' G'G'P'U' C'N'P'Q'V'DG'
 F'WRN'EQGF'VO'Q'VJ G'U'Q'V'DG'
 F'WRN'EQGF'HOT'CP' 'Q'VJ G'
 R'WTRQUGY'WJ Q'W'VJ G'Z'RT'GLU'
 Y' T'W'VGP'EQPUG'PV'QH'
 M'NRUEJ 'NNEU'

K < 991 G98

A 5HF-5@Q97 = 75HCBG

HC @F5B7 9G	897 A 5@
I B@GG'CH-9FK 49 Q97 = 98	0%Q
	0%\$)Q
	LLL - '\$\$)
	:F57HCB
	-9#(
	5B: @
	-%
	:B-G<
	' & \$', Q

8C 'BCH'G75@	
5DDFCJ 5@	
G7 B5H F9G	85H9
CF= B5HCF, 567	LLLLLL
7 < 97 ?9F.	..
9B: B99F.	..
A:; '9B: .	..
F9J -G8 6M	..



?`]dgW
 51 8-C H7 < BC@: -9G
 ') &K CC8J -9K 'H579%
 G +P\$) \$
 -B8-5B5DC@G-B (* & ,

F77!%&'5F7 < 8F5K -B;

7	8K: " BC"	\$	F9J
8-A: -B7 < 9A 9F-7Q	G7 5@9: %%	G< 99H	% C: ' &

(



&

%

\$

5