

(



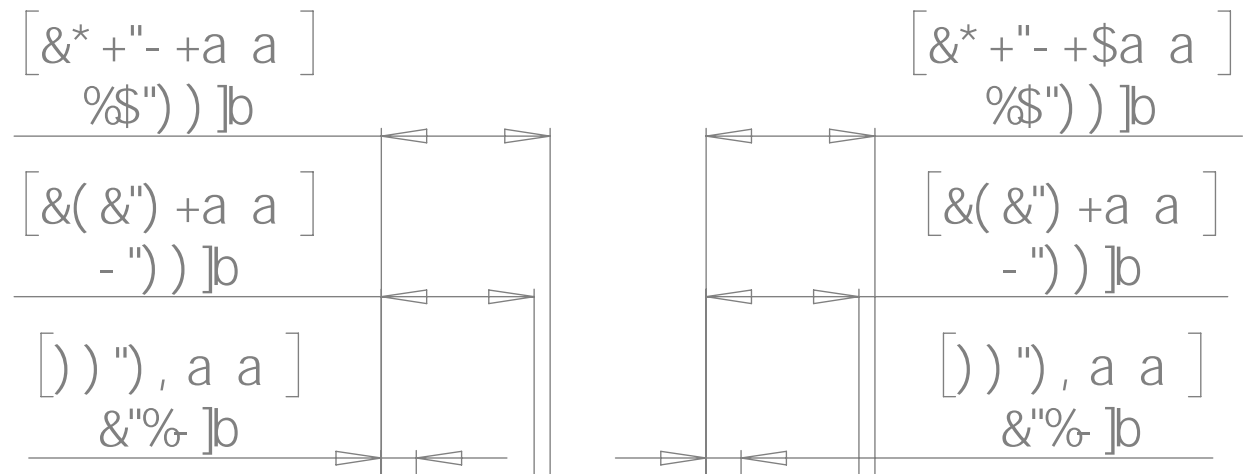
&

%

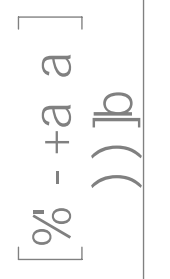
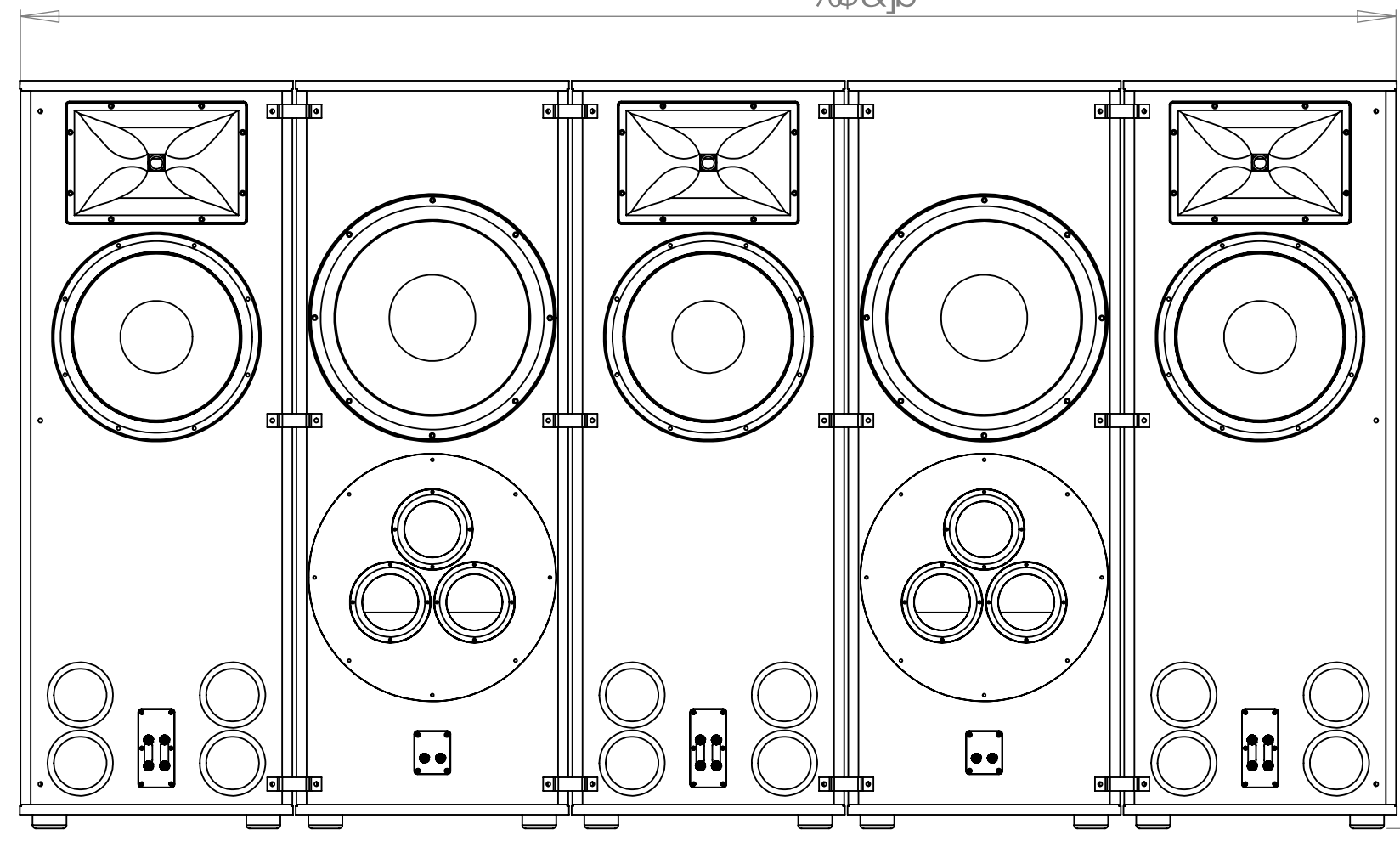
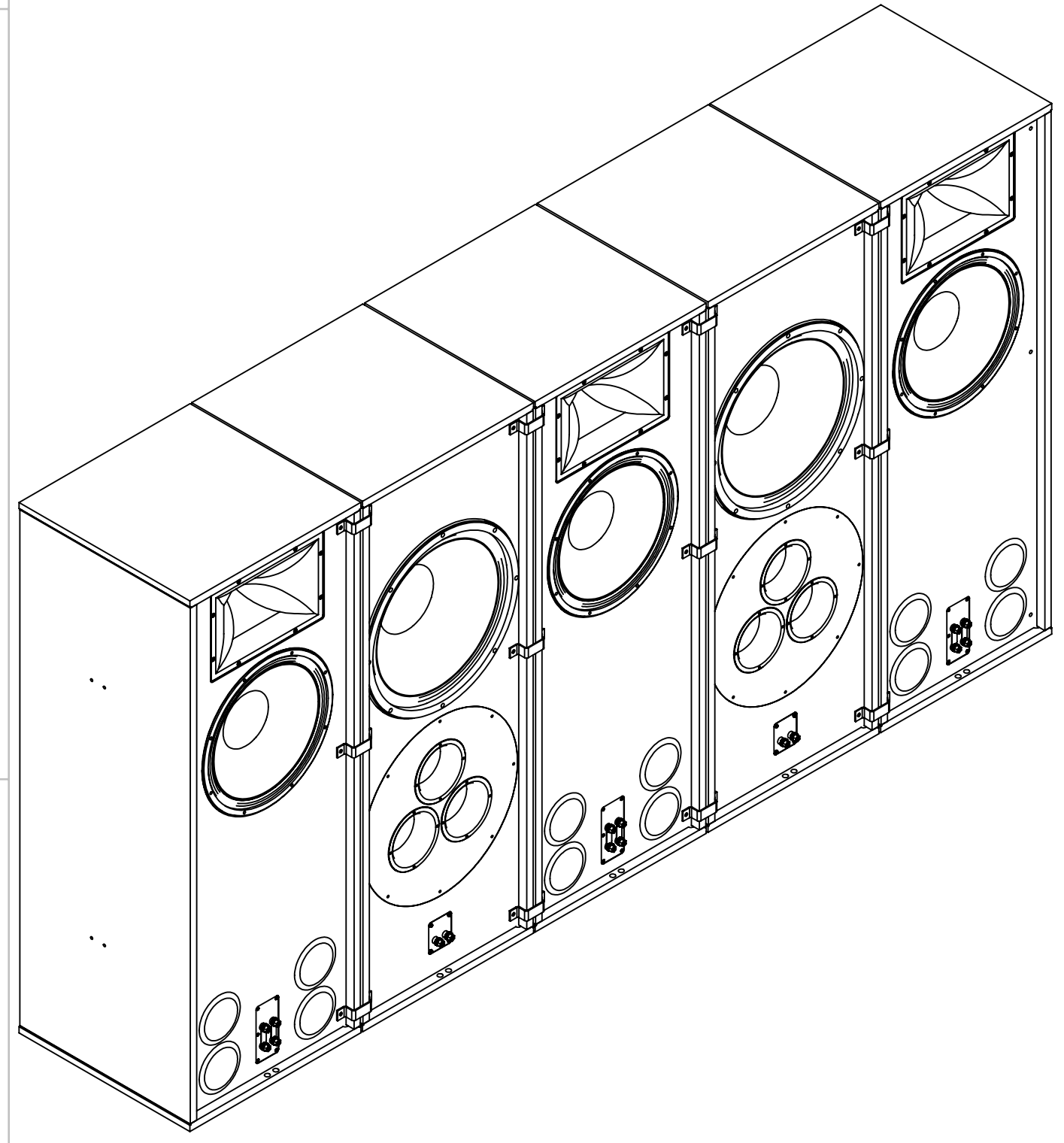
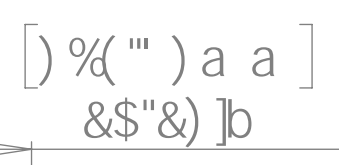
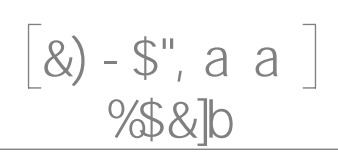
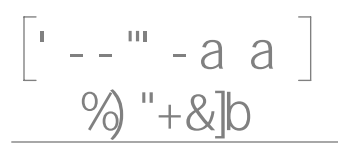
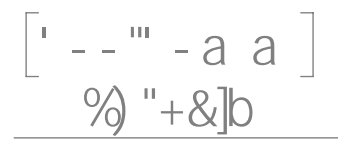
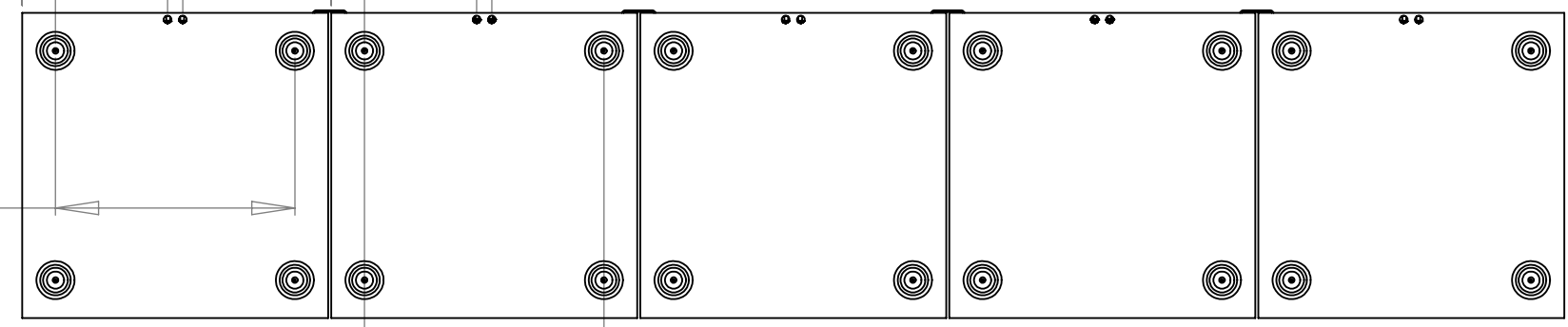
\$

5

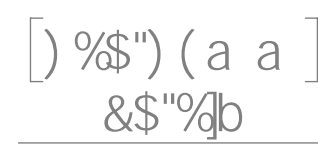
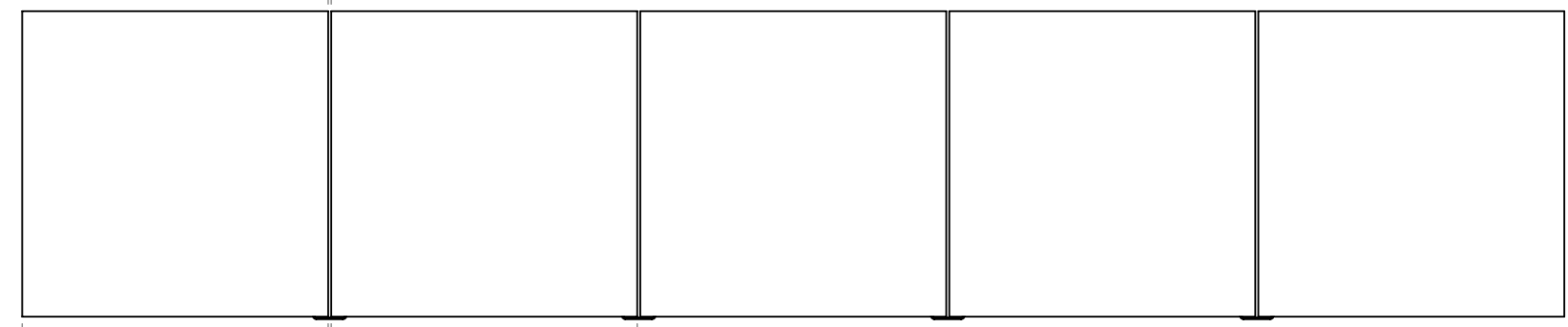
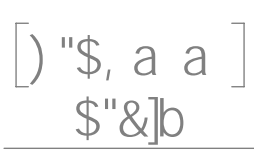
F9J -G-CBG			
F9J " 97B BC"	89G7 F-DHC B	85H9	5DDFCJ 98
	
	
	



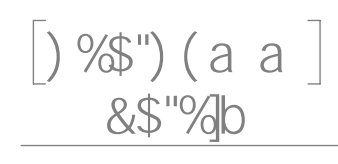
6C HCA J -9K



G-8 9 J -9K



HC D J -9K



VJ G'PHOTO CVKOP 'P' VJ K'FQEWOPV"
 K'VJ G'RTQRTV' 'QHMRLEJ' 'NNE
 CPF'EQPVCR'URTORTKVC'I' CPF
 EQPHCPVKN'PHOTO CVKOPVJ K'
 FOEWO GPV'RTI K'GP'ROT'VJ G'
 RWTROG'QHS WQVCROP'QI"
 RTQEWITGO GPV'CPF'VJ G'PHOTO CVKOP'
 EQPVCR'G'J'GTGP'U' CNP'QV'DG"
 FWRNECVGF'ROT'CP' QVI GT
 RWTROGY K'J QWV'VJ G'ZRTGLU
 Y T'WVGP'EQVGPVQH'
 MNRLEJ' 'NNEU'

K < 991 G98
 A 5HF-5@Q97 = 75HCBG

HC @F5B7 9G
 I B@GG'CH-9FK 49 Q97 = 98
 897 A 5@
 ...L - "\$& 0 "%Q
 ...L - "\$& 0 "%Q
 LLL - "\$& 0 "%Q

8C 'BCH'G75@	
5DDFCJ 5@	
G7 B5H F9G	85H9
CF= B5HCF. 567	LLLLLL
7 < 97 ? 9F.	..
9B: B99F.	..
A: : 9B: .	..
F9J -G8 6M	..



?`]dgW
 5I 8-C H7 < BC@: -9G
 ') &K CC8J -9K 'HF579
 G +P\$) \$
 -B8-5B5DC@G-B (* & ,

F77!%\$&'5F7 < 8F5K -B;

7	8K: " BC"	\$	F9J
8-A: -B7 < 9A 9F-7Q	G7 5@ "%%	G-99H	% C: '&

(



&

%

\$

5