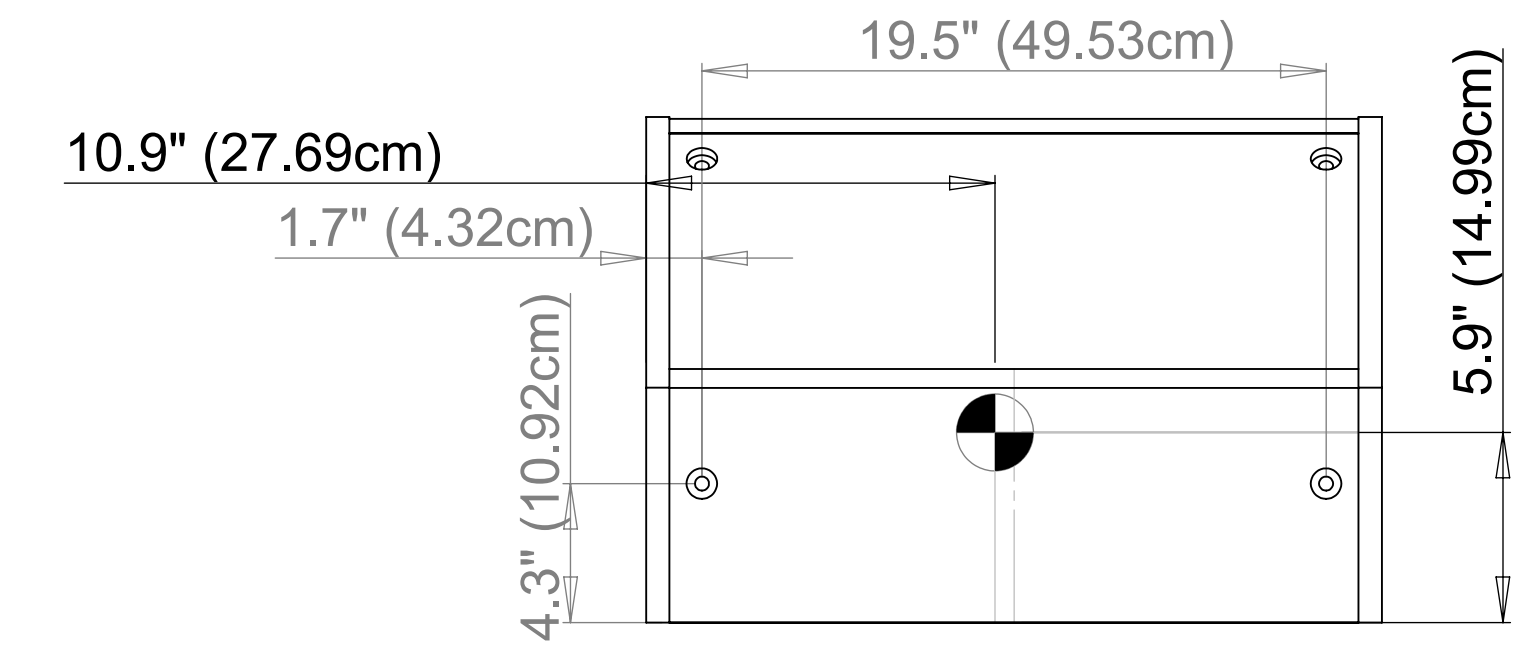
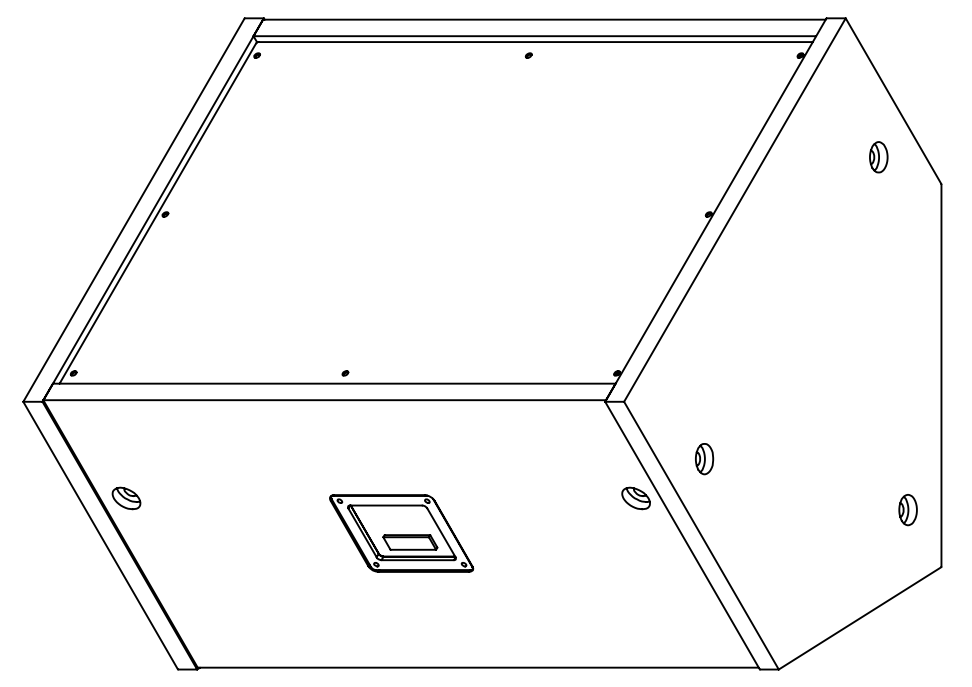
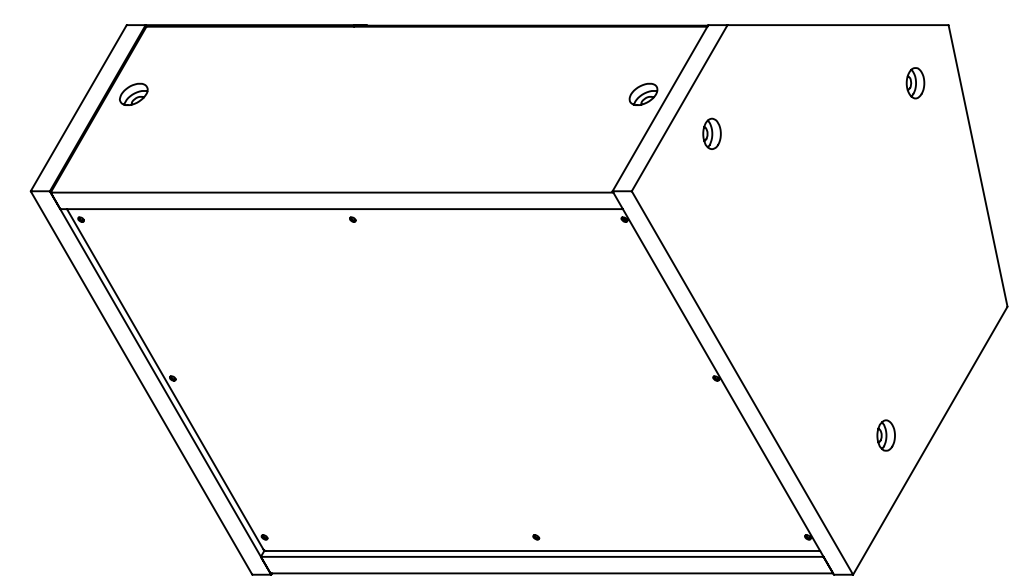
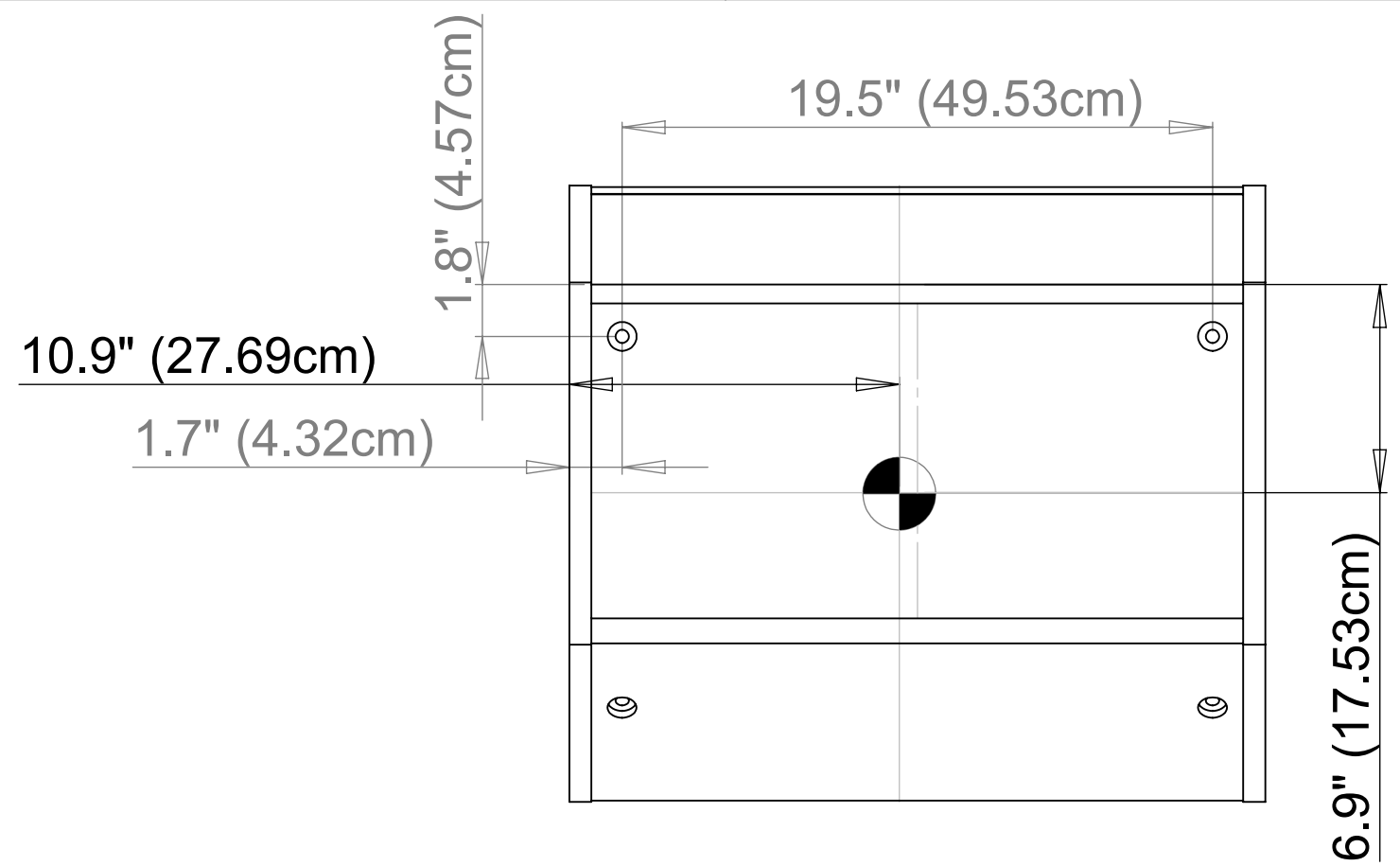
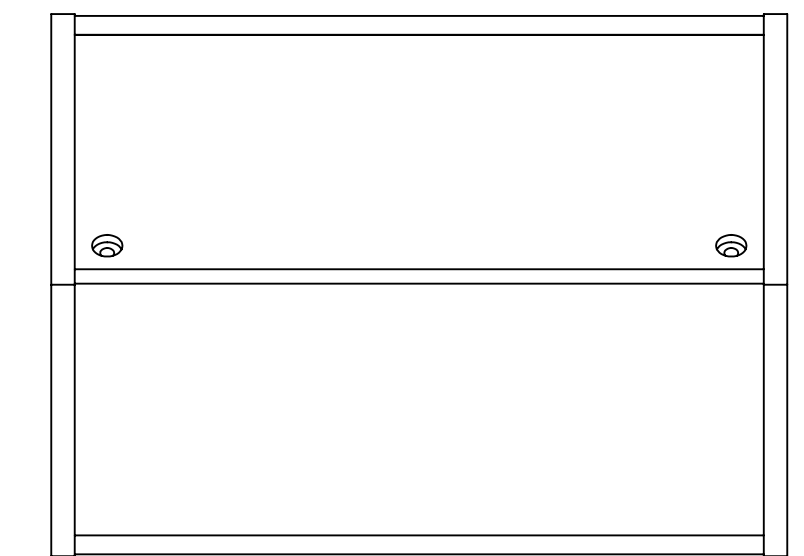
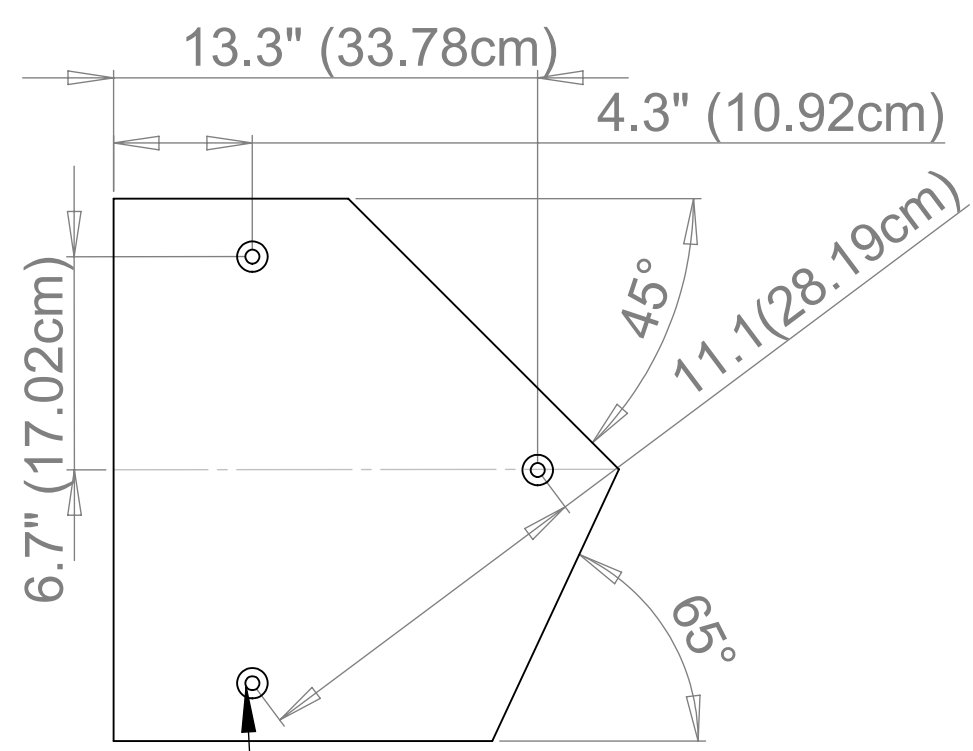
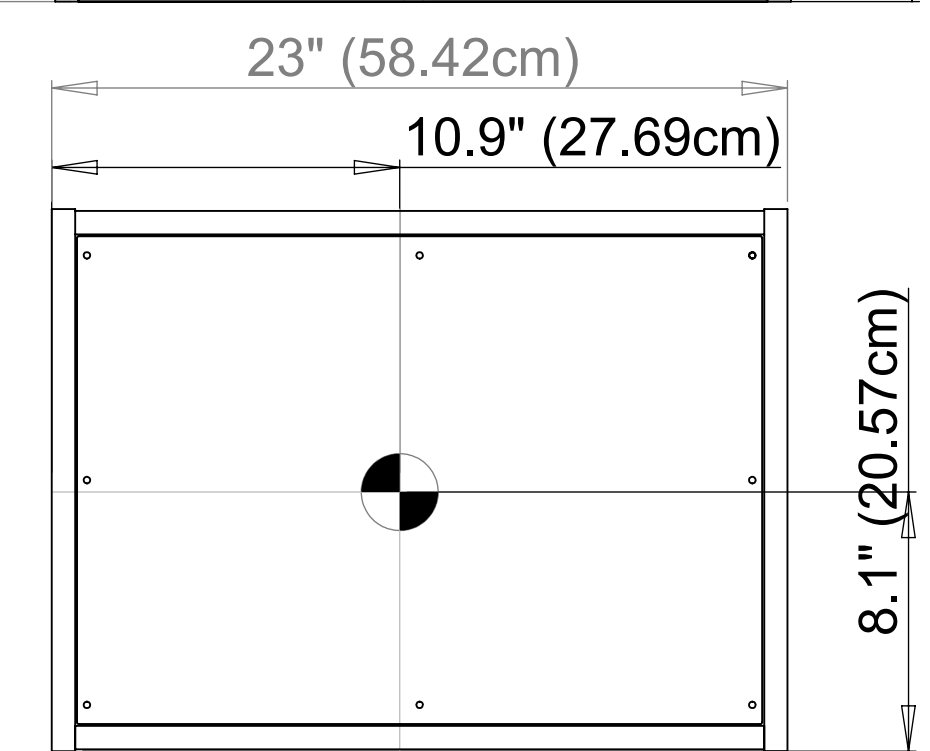
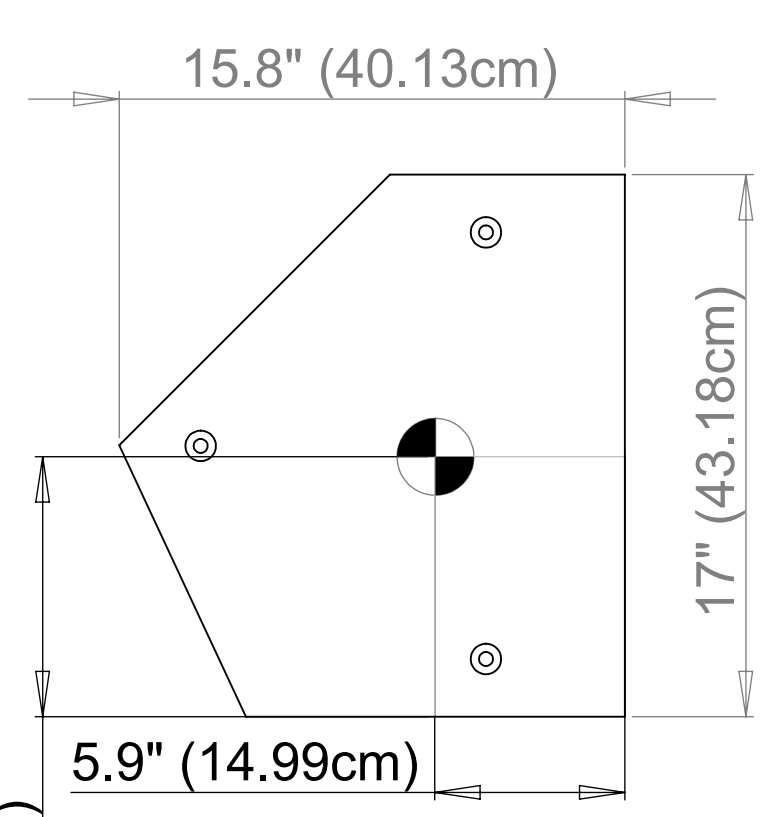


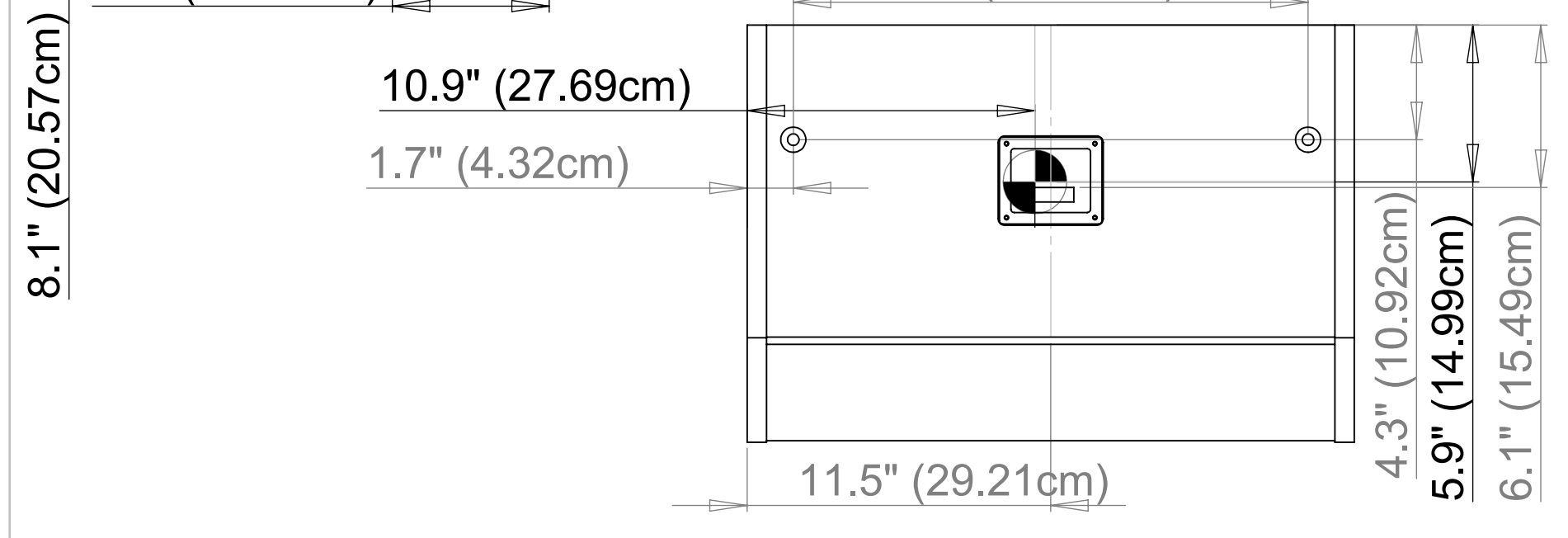
| REVISIONS | | | | |
|-----------|---------|-------------|----------|----------|
| REV. | ECN NO. | DESCRIPTION | DATE | APPROVED |
| A | | RELEASED | 07292015 | RDJ |
| | | | | |
| | | | | |



= CENTER OF GRAVITY



3/8"-16 THREAD HOLES (12 PLCS)
USE THESE FOR SUSPENSION




THE INFORMATION IN THIS DOCUMENT IS THE PROPERTY OF KLIPSCH L.L.C AND CONTAINS PROPRIETARY AND CONFIDENTIAL INFORMATION. THIS DOCUMENT IS GIVEN FOR THE PURPOSE OF QUOTATION OR PROCUREMENT AND THE INFORMATION CONTAINED HEREIN SHALL NOT BE DISCLOSED TO OTHERS, OR BE DUPLICATED FOR ANY OTHER PURPOSE WITHOUT THE EXPRESS WRITTEN CONSENT OF KLIPSCH L.L.C.

| WHERE USED |
|-------------------------|
| |
| |
| MATERIAL SPECIFICATIONS |
| |

| TOLERANCES UNLESS OTHERWISE SPECIFIED | |
|---------------------------------------|------------|
| DECIMAL | FRACTION |
| .X ± .02 | ± 1/64 |
| .XX ± .01 | ANGLE ± 1° |
| .XXX ± .005 | FINISH 32 |

| DO NOT SCALE | |
|---------------|------|
| APPROVALS | |
| SIGNATURES | DATE |
| ORIGINATOR: | |
| CHECKER: | |
| ENGINEER: RDJ | |
| MFG ENG: | |
| REVISED BY: | |



Klipsch
AUDIO TECHNOLOGIES
3502 WOODVIEW TRACE,
SUITE 050
INDIANAPOLIS, IN 46268

TITLE: **KI-272-SMA-II ARCH DRAWING**

SIZE C DWG. NO. D105039 REV. A

DIM: INCH [METRIC] SCALE: N/A SHEET: 1

C
B
A

C
B
A