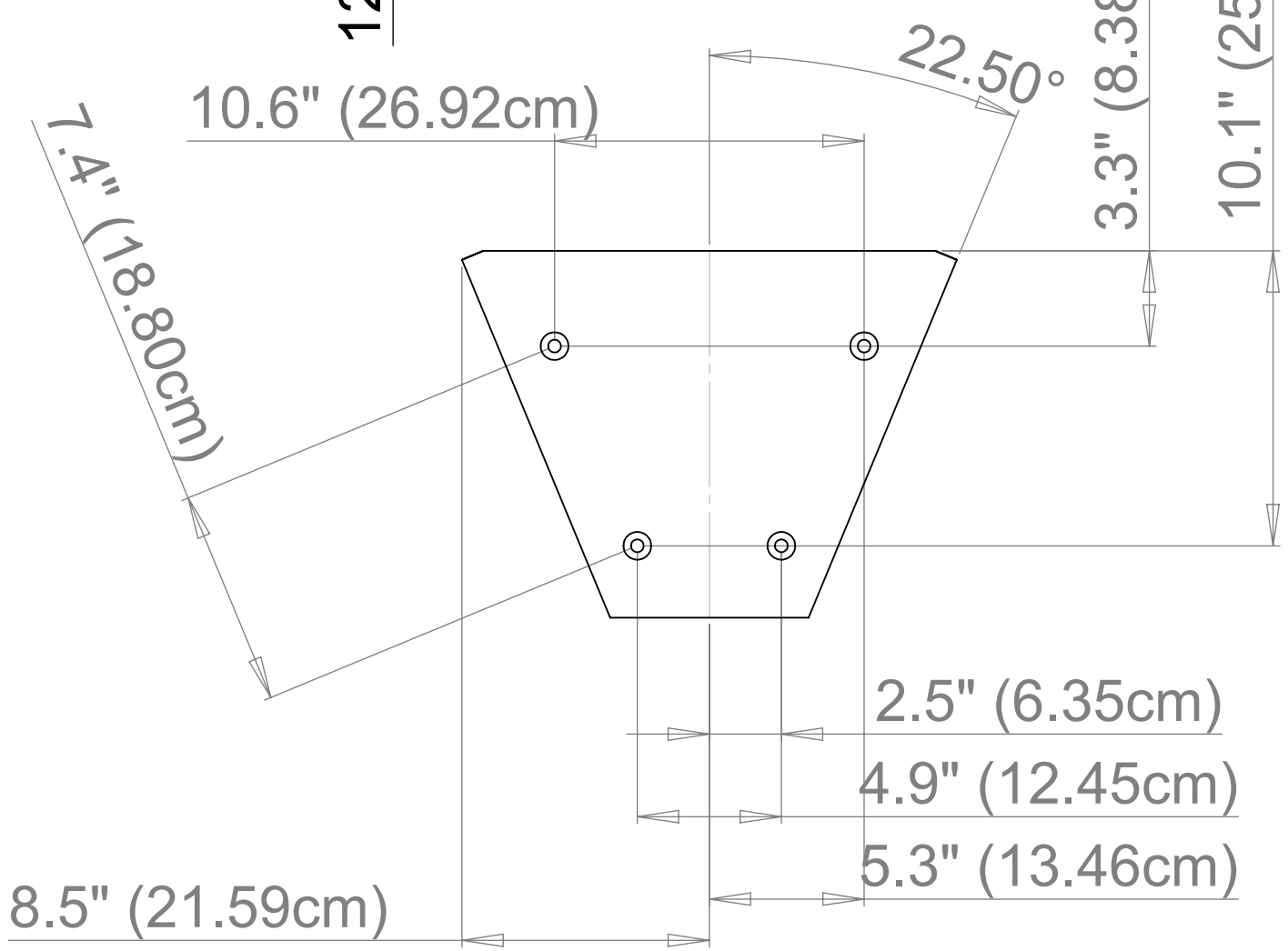
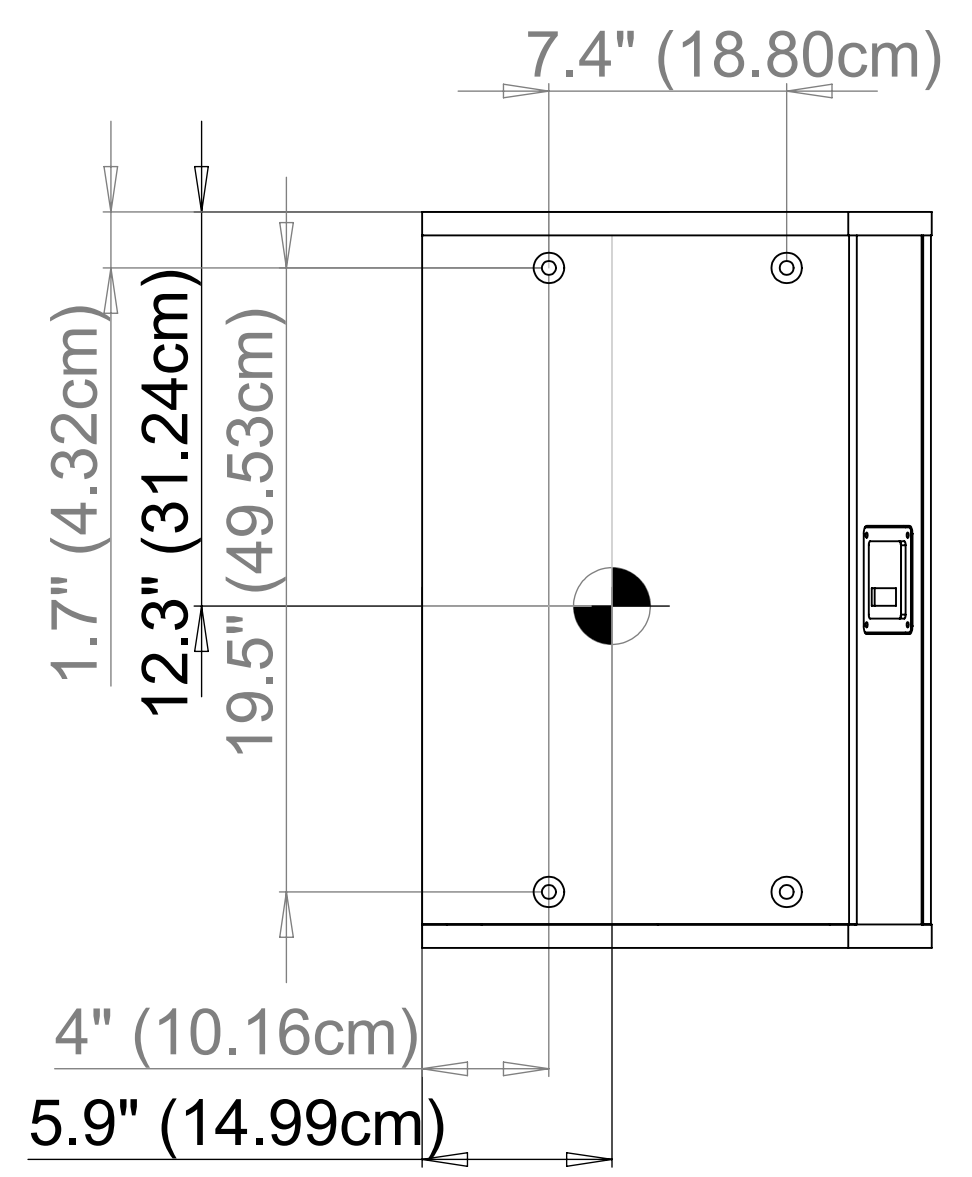
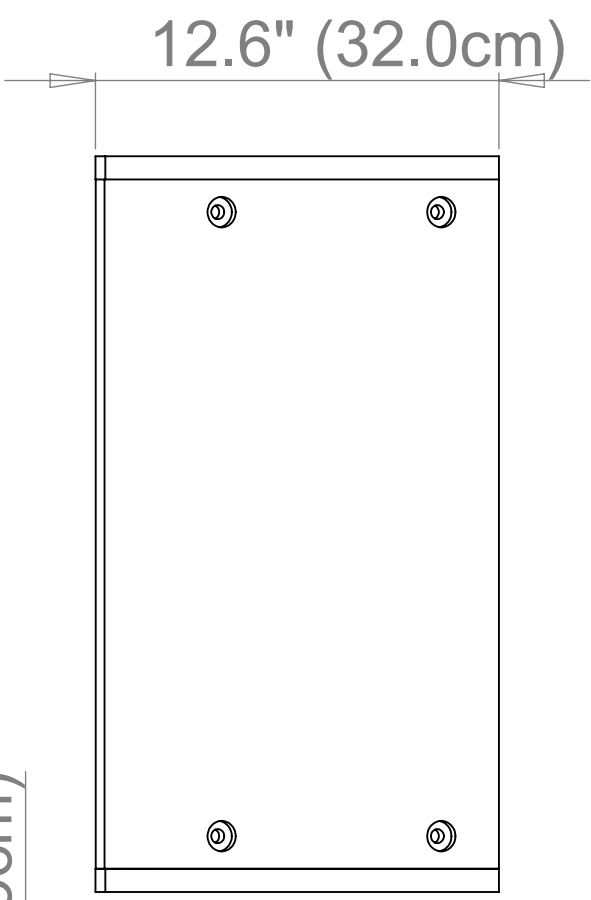
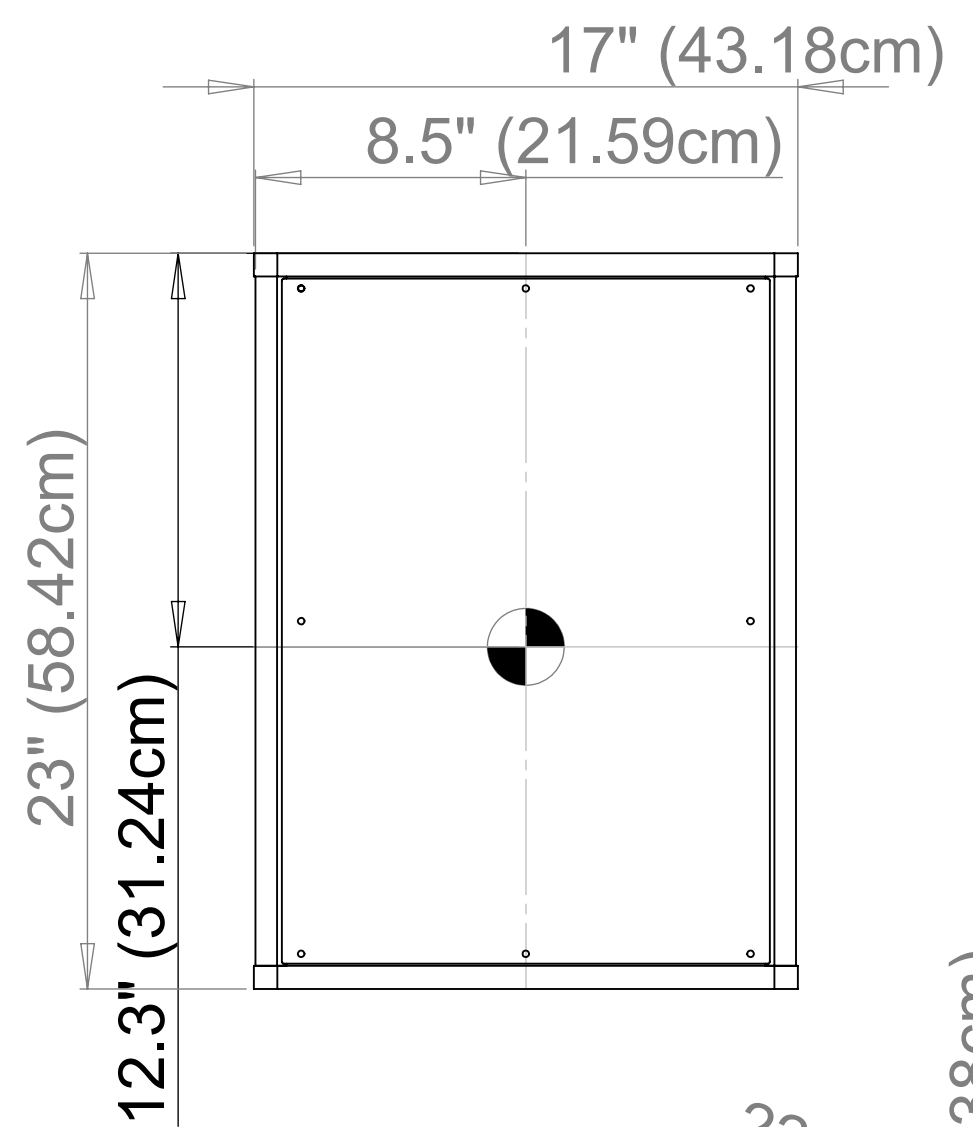
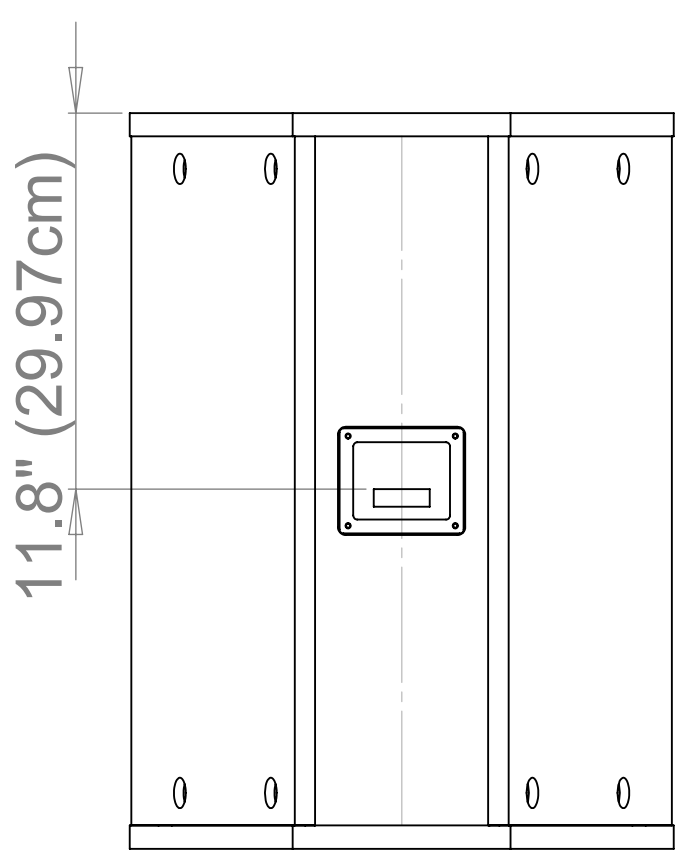
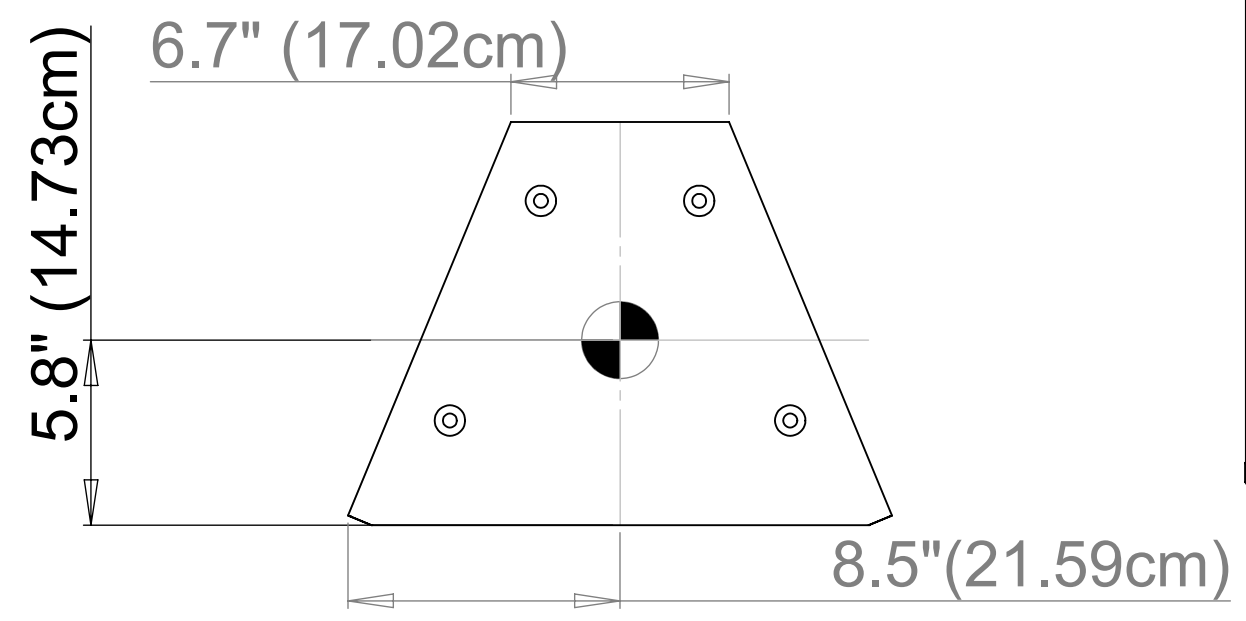
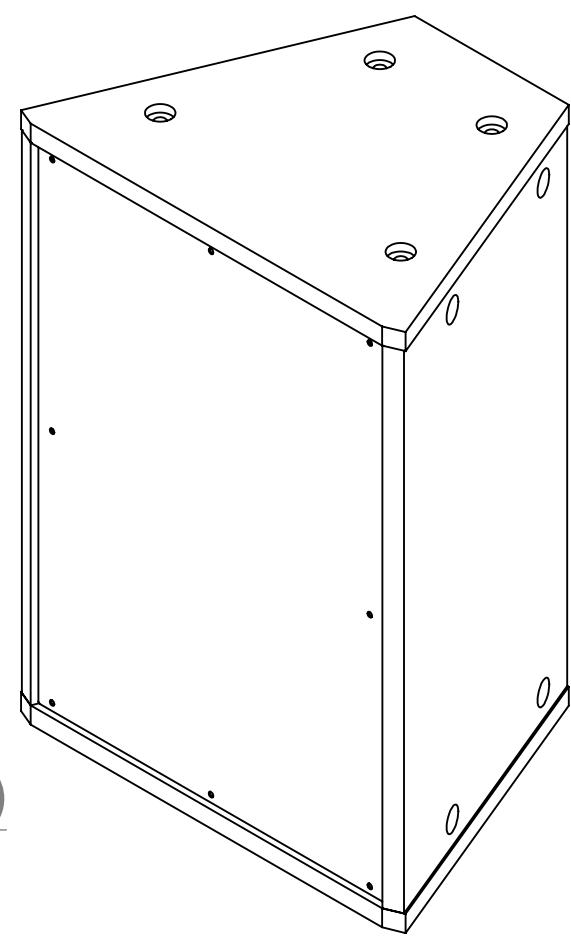


REVISIONS				
REV.	ECN NO.	DESCRIPTION	DATE	APPROVED
A		RELEASED	07272015	RDJ



= CENTER OF GRAVITY

THE INFORMATION IN THIS DOCUMENT IS THE PROPERTY OF KLIPSCH L.L.C AND CONTAINS PROPRIETARY AND CONFIDENTIAL INFORMATION. THIS DOCUMENT IS GIVEN FOR THE PURPOSE OF QUOTATION OR PROCUREMENT AND THE INFORMATION CONTAINED HEREIN SHALL NOT BE DISCLOSED TO OTHERS, OR BE DUPLICATED FOR ANY OTHER PURPOSE WITHOUT THE EXPRESS WRITTEN CONSENT OF KLIPSCH L.L.C.

TOLERANCES <small>UNLESS OTHERWISE SPECIFIED</small> DECIMAL .X ± .02 [±.1] .XX ± .01 [±.025] .XXX ± .005 [±.005]	DO NOT SCALE		Klipsch AUDIO TECHNOLOGIES 3502 WOODVIEW TRACE, SUITE 050 INDIANAPOLIS, IN 46268
	APPROVALS SIGNATURES DATE		
WHERE USED _____ _____ _____	FRACTION ± 1/64	ORIGINATOR: _____	TITLE: KI-262-SMA-II ARCH DRAWING
MATERIAL SPECIFICATIONS _____ _____	ANGLE ± 1°	CHECKER: _____	SIZE C
	FINISH 32 [0.8]	ENGINEER: RDJ	DWG. NO. D105038
		MFG ENG: _____	SCALE: N/A SHEET: 1
		REVISED BY: _____	REV. A