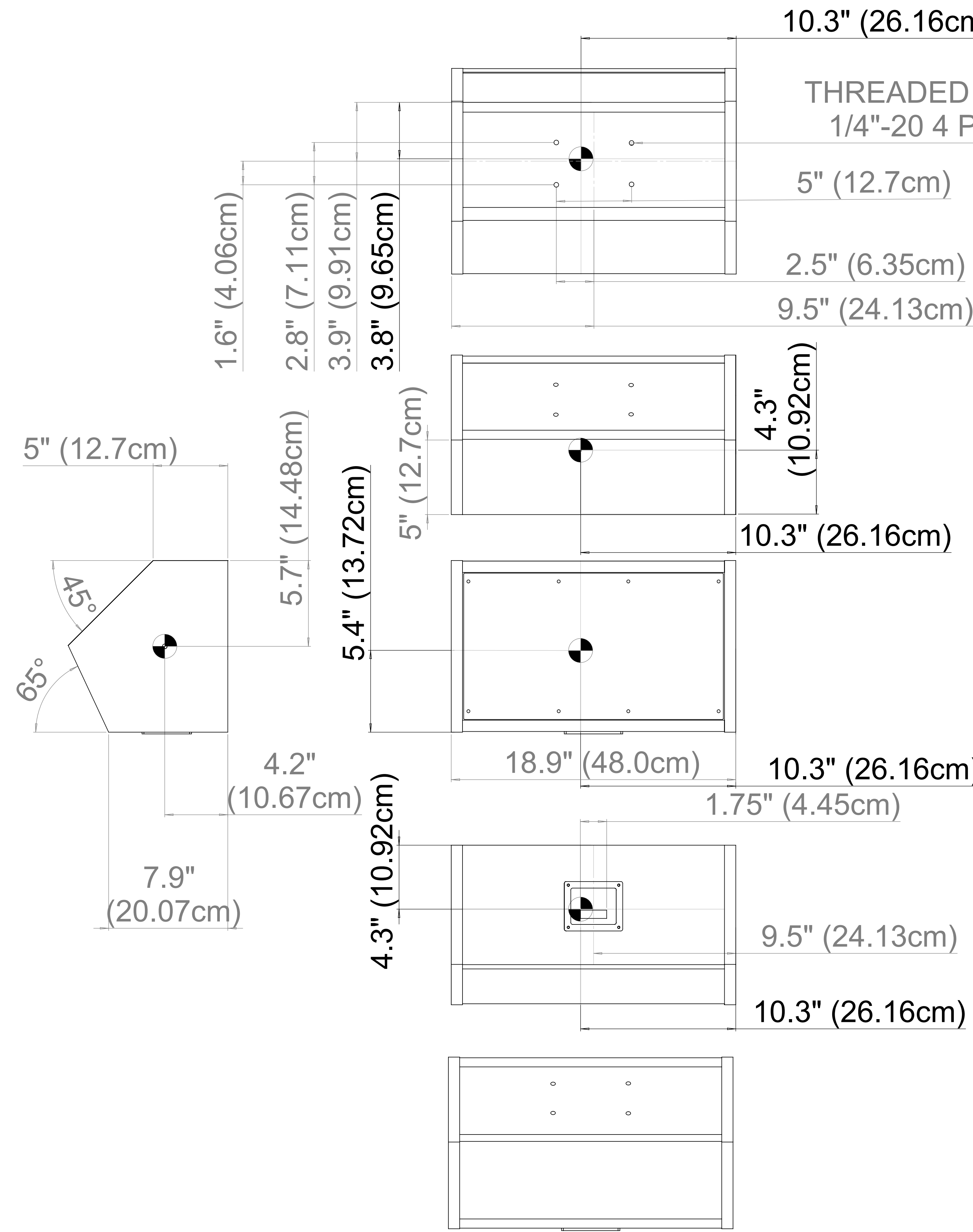
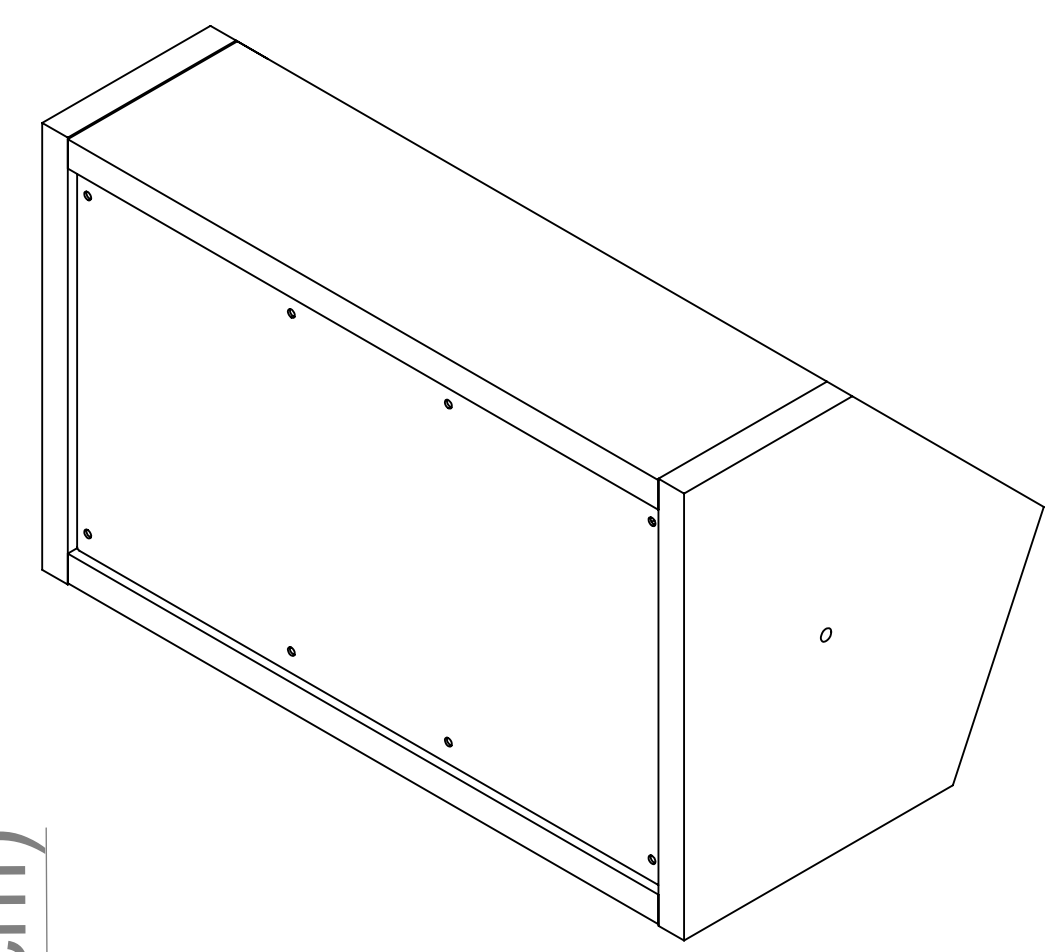


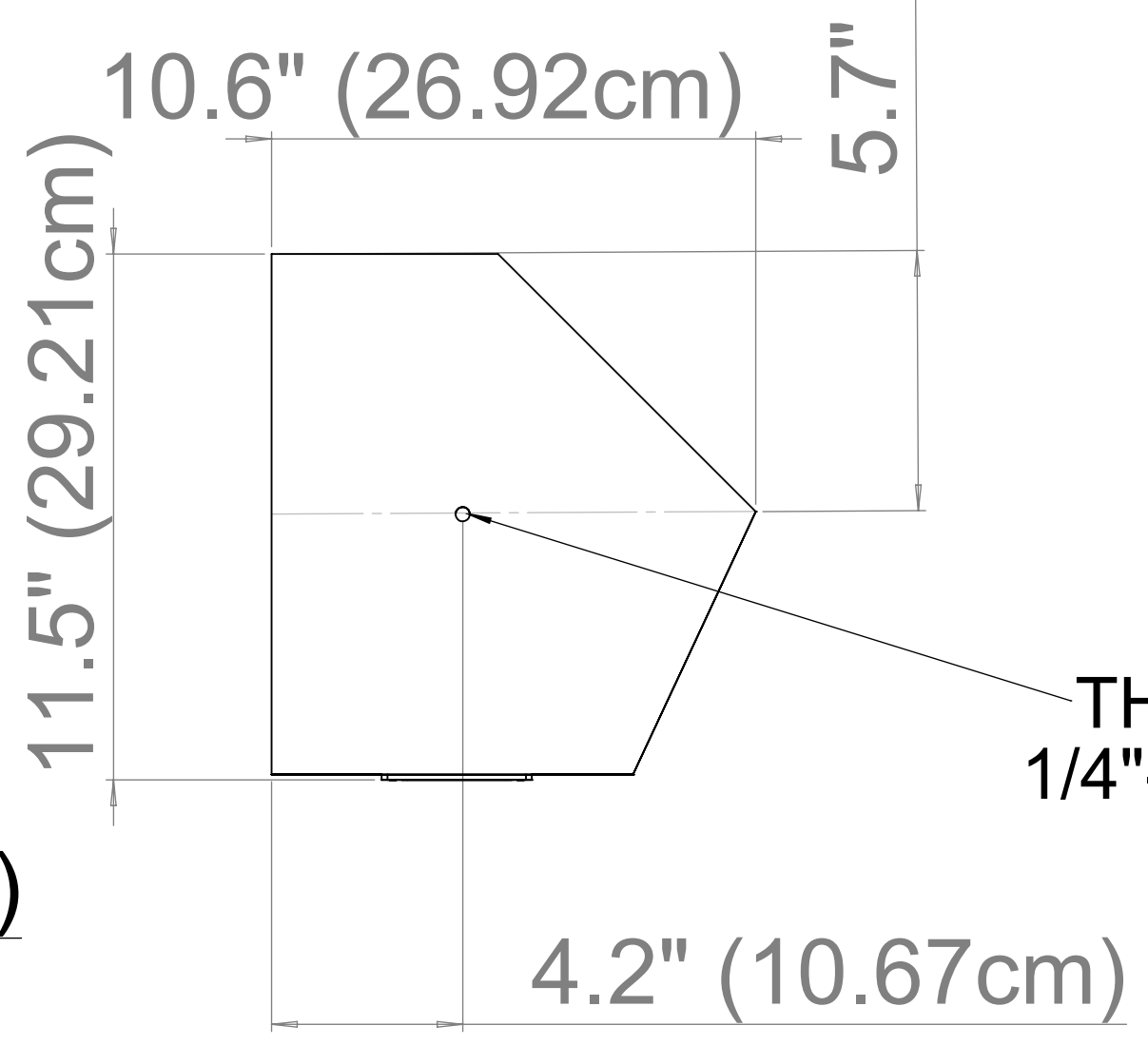
REVISIONS				
REV.	ECO NO.	DESCRIPTION	DATE	APPROVED
A		RELEASED	07152015	RDJ



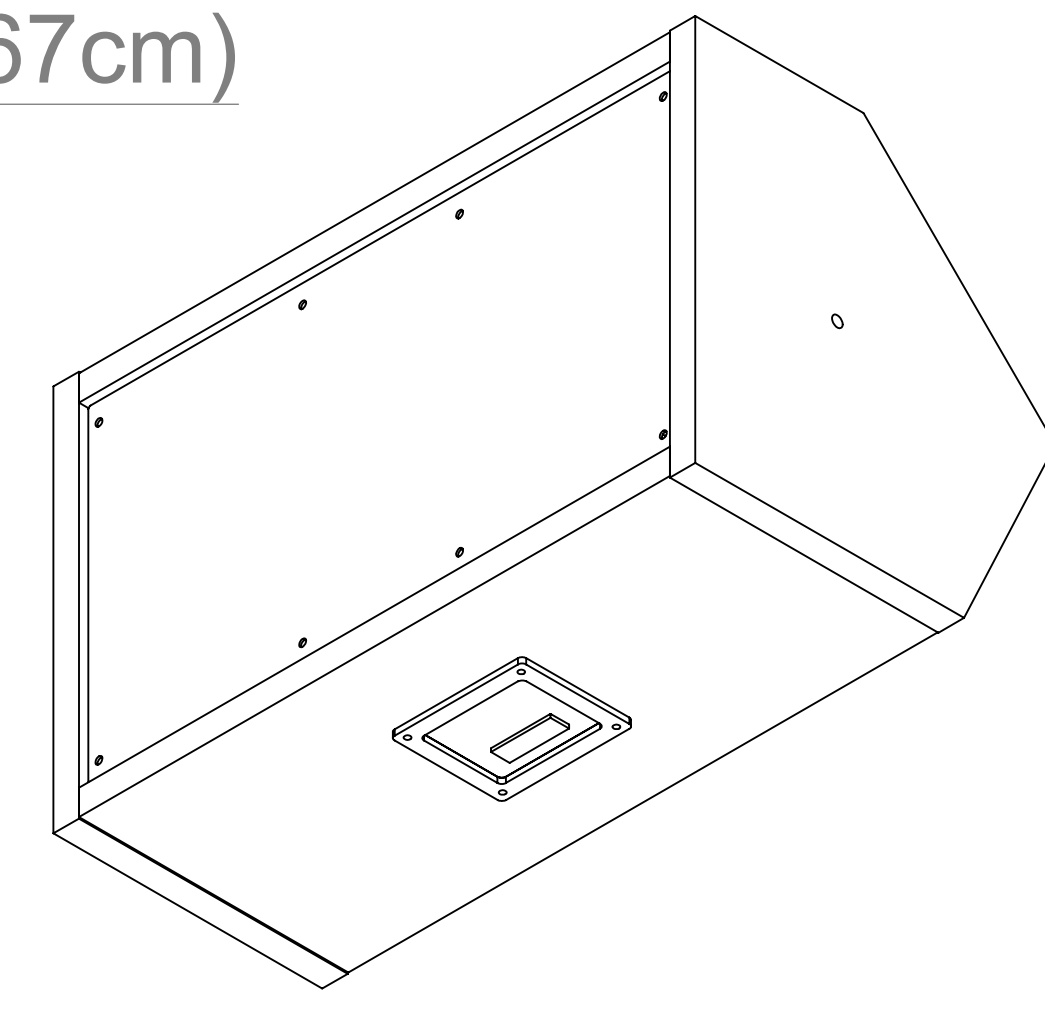
10.3" (26.16cm)
 THREADED HOLE
 1/4"-20 4 PLCS
 5" (12.7cm)
 2.5" (6.35cm)
 9.5" (24.13cm)



● = CENTER OF GRAVITY



THREADED HOLE
 1/4"-20 SIDE PANELS



THE INFORMATION IN THIS DOCUMENT IS THE PROPERTY OF KLIPSCH L.L.C. AND CONTAINS PROPRIETARY AND CONFIDENTIAL INFORMATION. THIS DOCUMENT IS GIVEN FOR THE PURPOSE OF QUOTATION OR PROCUREMENT AND THE INFORMATION CONTAINED HEREIN SHALL NOT BE DISCLOSED TO OTHERS, OR BE REPRODUCED FOR ANY OTHER PURPOSE WITHOUT THE EXPRESS WRITTEN CONSENT OF KLIPSCH L.L.C.

TOLERANCES UNLESS OTHERWISE SPECIFIED	
DECIMAL	.XXX ± .020
FRACTION	± 1/64
ANGLE	± 1°
FINISH	32 [0.8]

DO NOT SCALE	
APPROVALS	
SIGNATURES	DATE
ORIGINATOR:	
CHECKER:	
ENGINEER: RDJ	
MFG ENG:	
REVISED BY:	

Klipsch
 AUDIO TECHNOLOGIES
 137 COUNTY ROAD # 278
 HOPE, AR 71801

TITLE: **KI-172-II-SMA ARCH DRAWING**

DWG. NO. **D105040**
 DIM: INCH (METRIC) | SCALE: N/A | SHEET: 1 OF 1