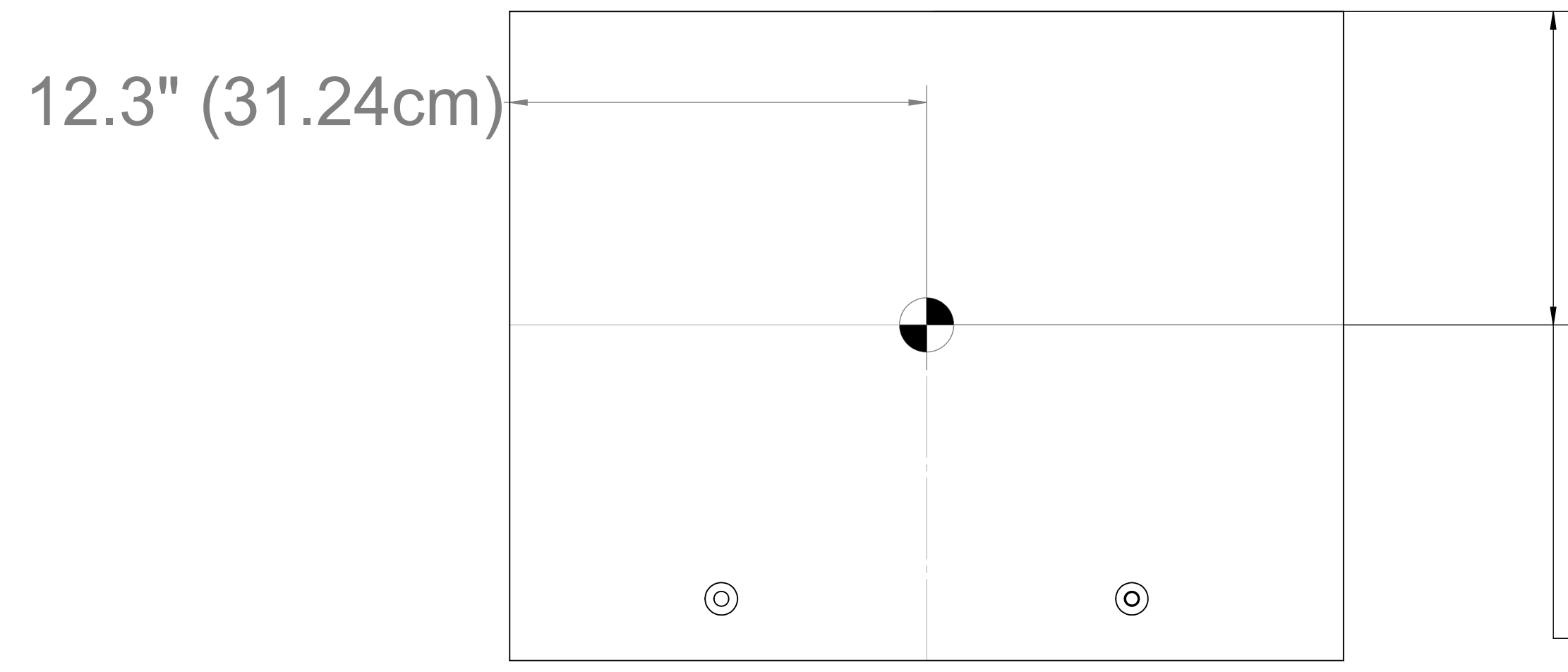
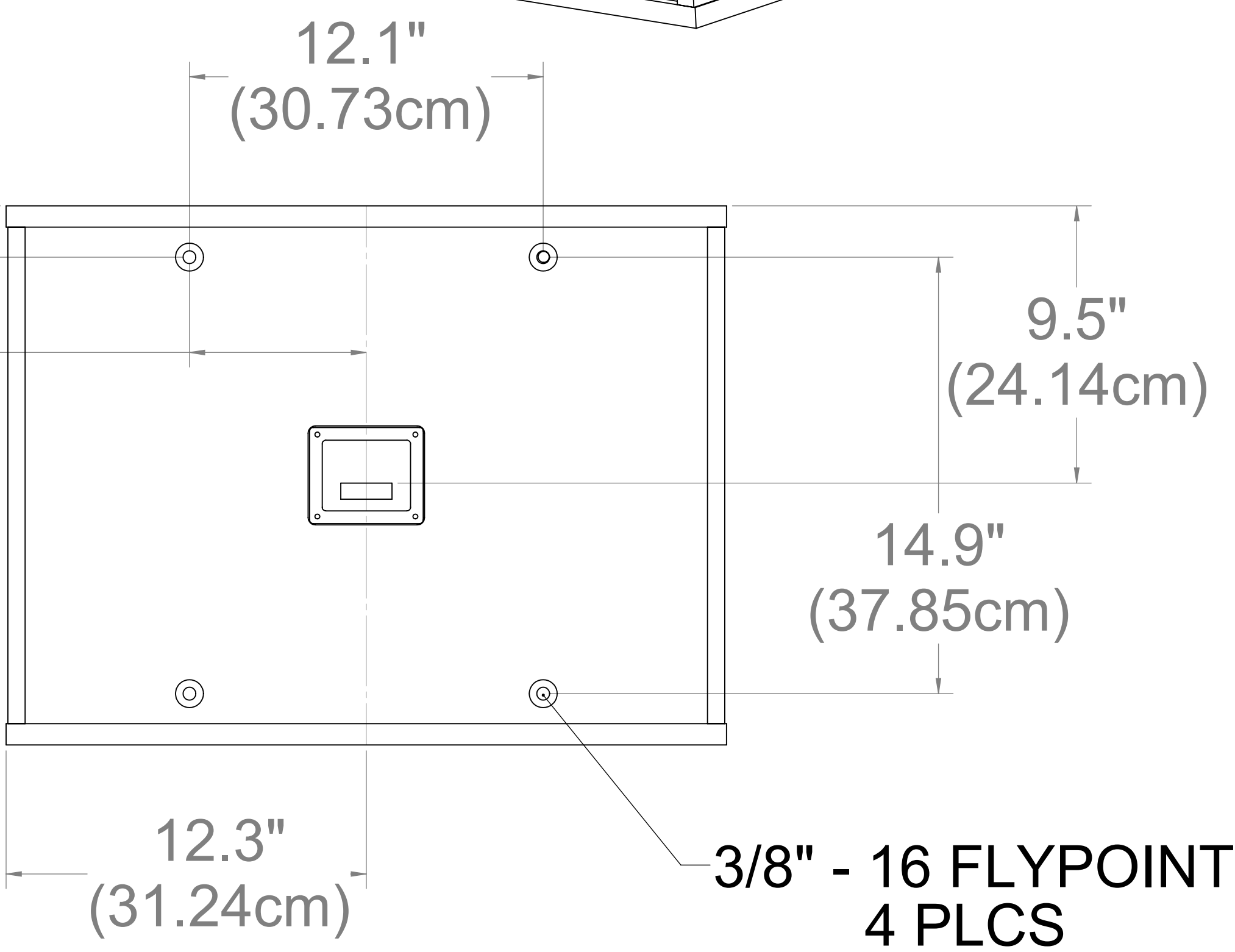
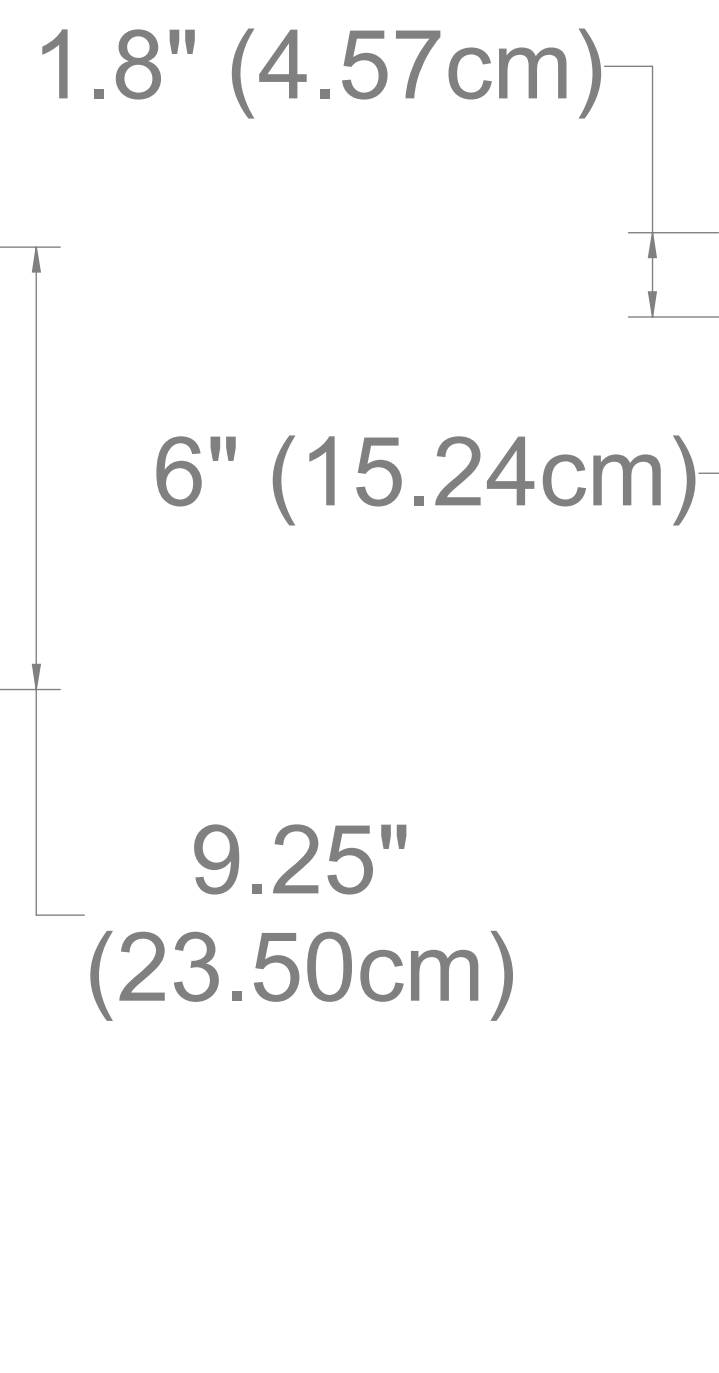
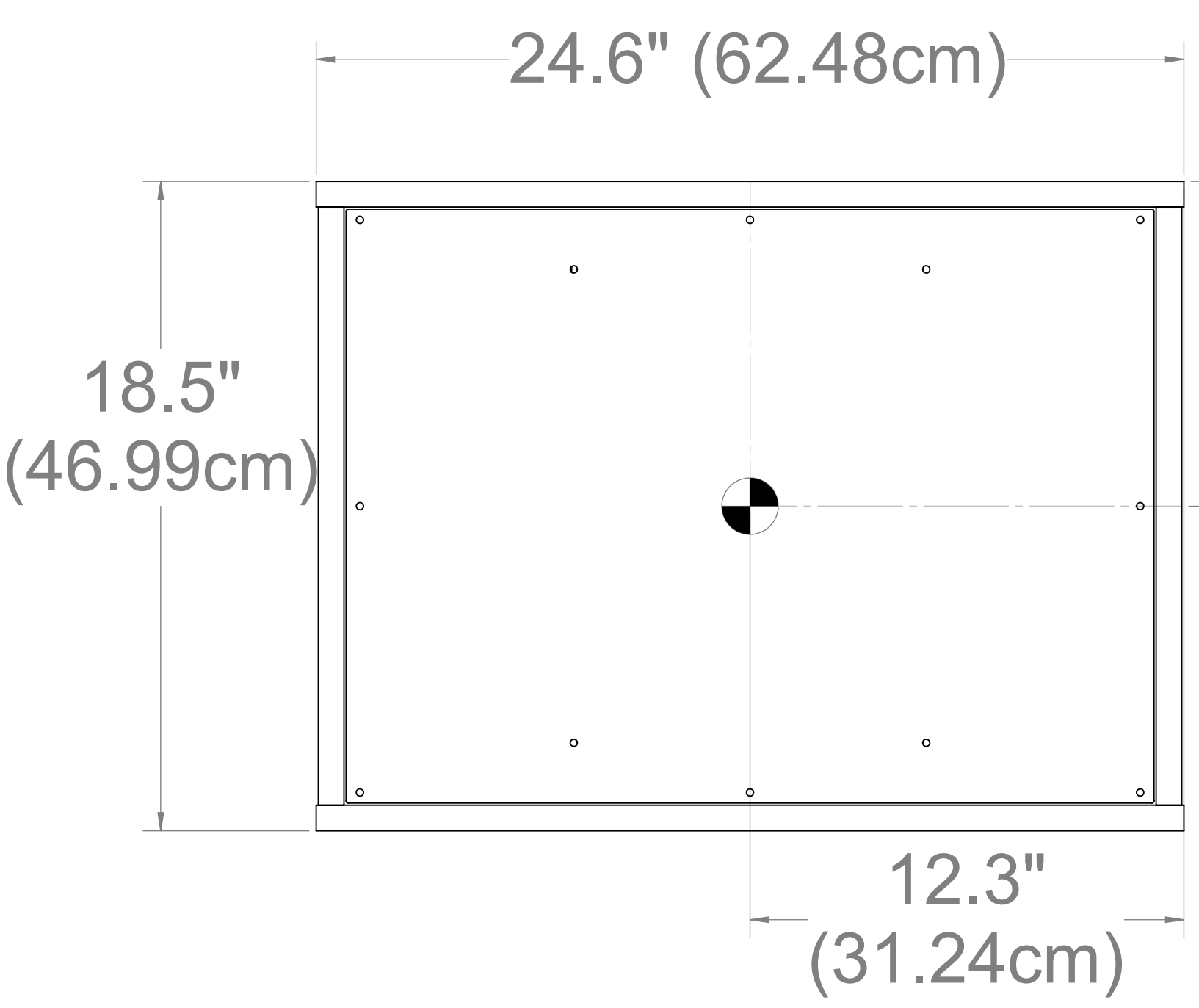
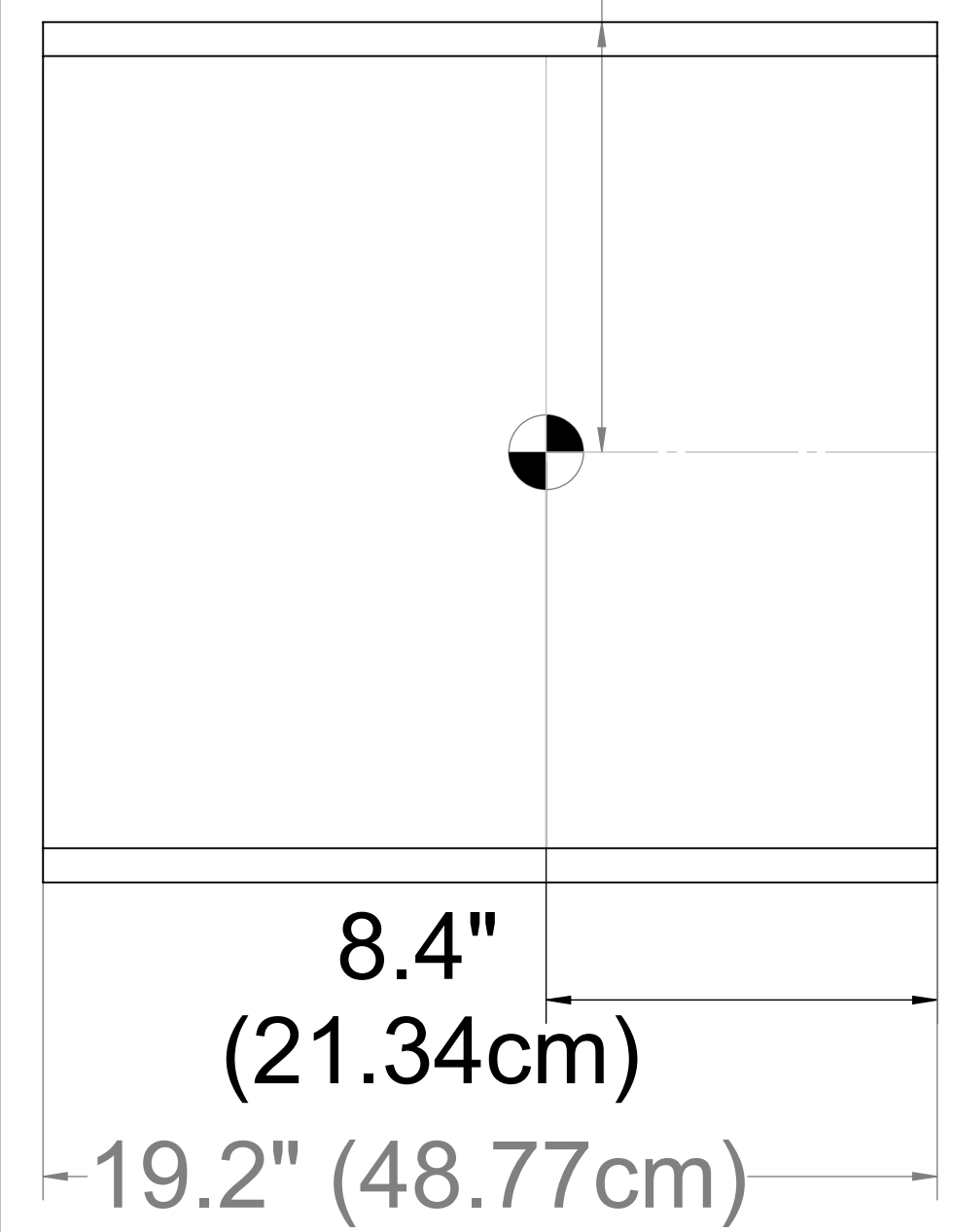
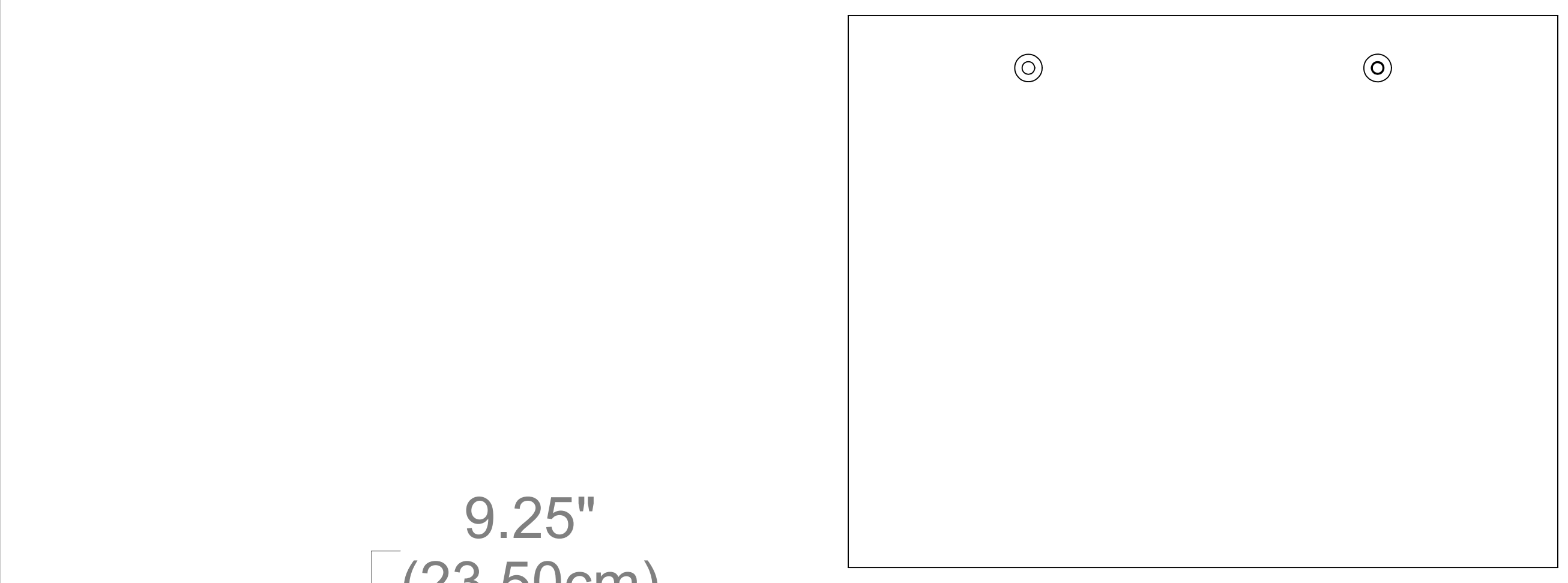
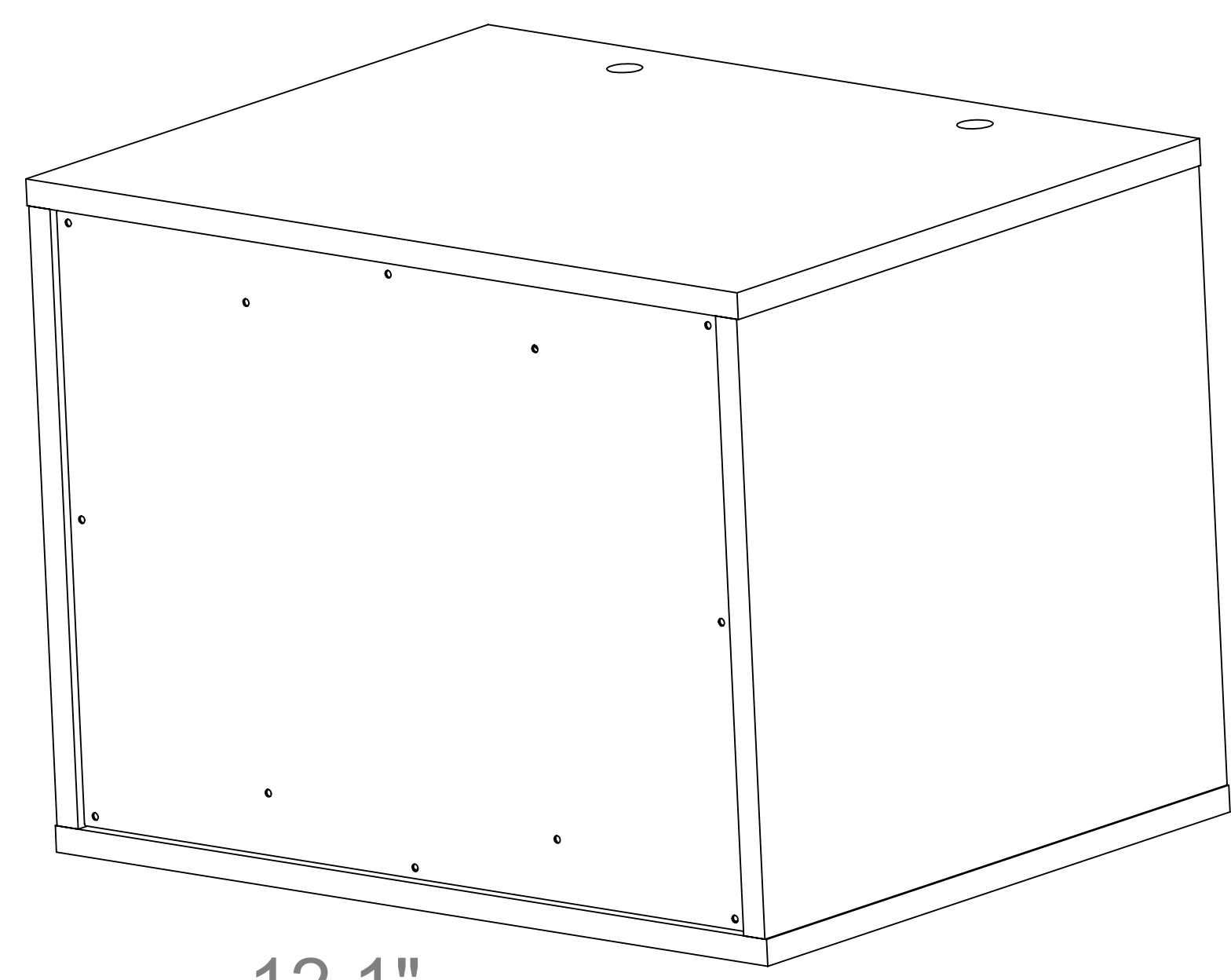


REVISIONS				
REV.	ECO NO.	DESCRIPTION	DATE	APPROVED
A		RELEASED	A	07152015



**3/8" - 16 FLYPOINT
4 PLCS
SUSPEND USING THESE FLYPOINTS**

= CENTER OF GRAVITY

THE INFORMATION IN THIS DOCUMENT IS THE PROPERTY OF KLIPSCH L.L.C. AND CONTAINS PROPRIETARY AND CONFIDENTIAL INFORMATION. THIS DOCUMENT IS GIVEN FOR THE PURPOSE OF QUOTATION OR PROCUREMENT AND THE INFORMATION CONTAINED HEREIN SHALL NOT BE DISCLOSED TO OTHERS, OR BE REPRODUCED OR COPIED FOR ANY OTHER PURPOSE WITHOUT THE EXPRESS WRITTEN CONSENT OF KLIPSCH L.L.C.

TOLERANCES UNLESS OTHERWISE SPECIFIED	
DECIMAL	FRACTION
.XXX ± .020	± 1/64
	ANGLE ± 1°
	FINISH
32	[0.8]

DO NOT SCALE	
APPROVALS	
SIGNATURES	DATE
ORIGINATOR:	
CHECKER:	
ENGINEER: RDJ	
MFG ENG:	
REVISED BY:	

Klipsch
AUDIO TECHNOLOGIES
137 COUNTY ROAD # 278
HOPE, AR 71801

ARCH DRAWING

DWG. NO. **D105044**
SCALE: N/A SHEET: 1 OF 1