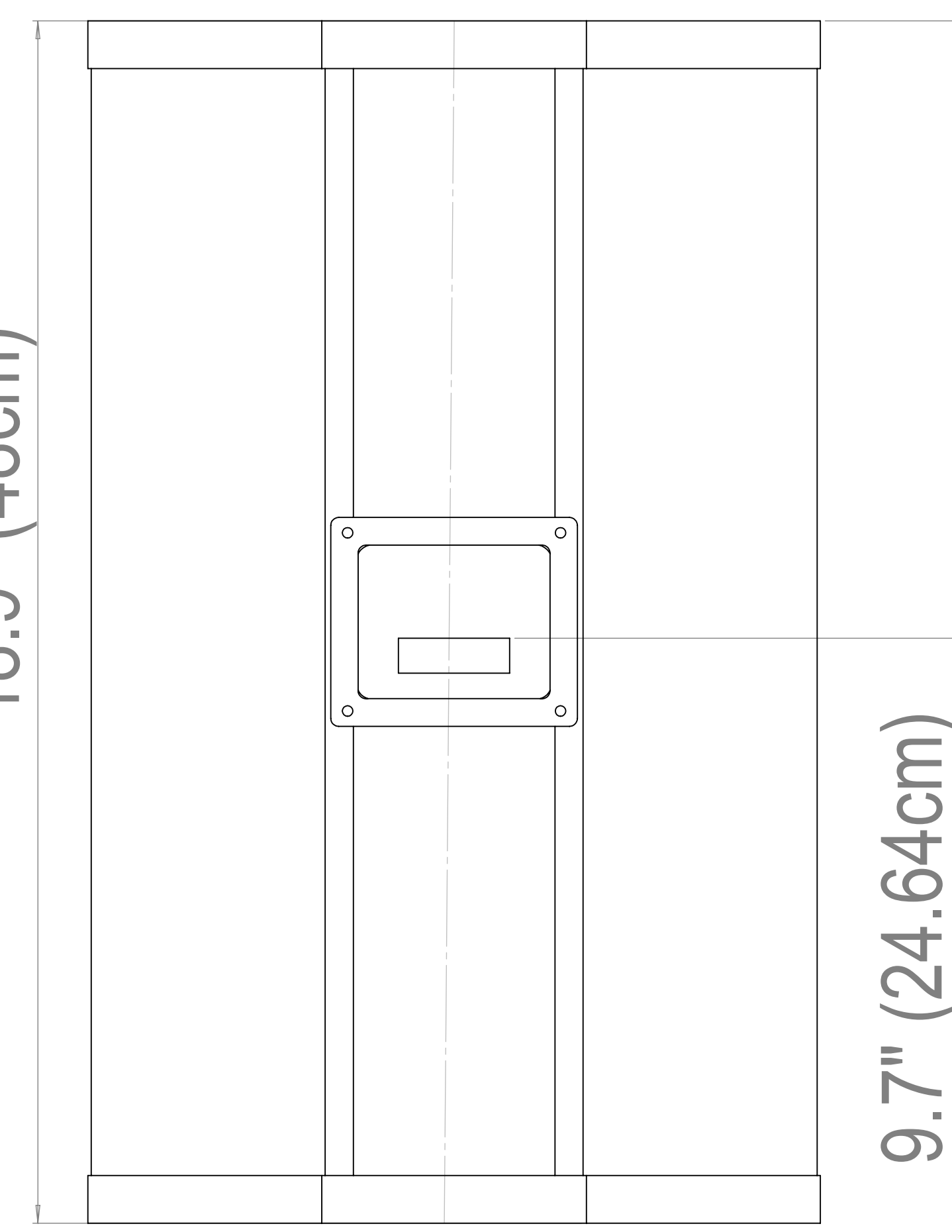
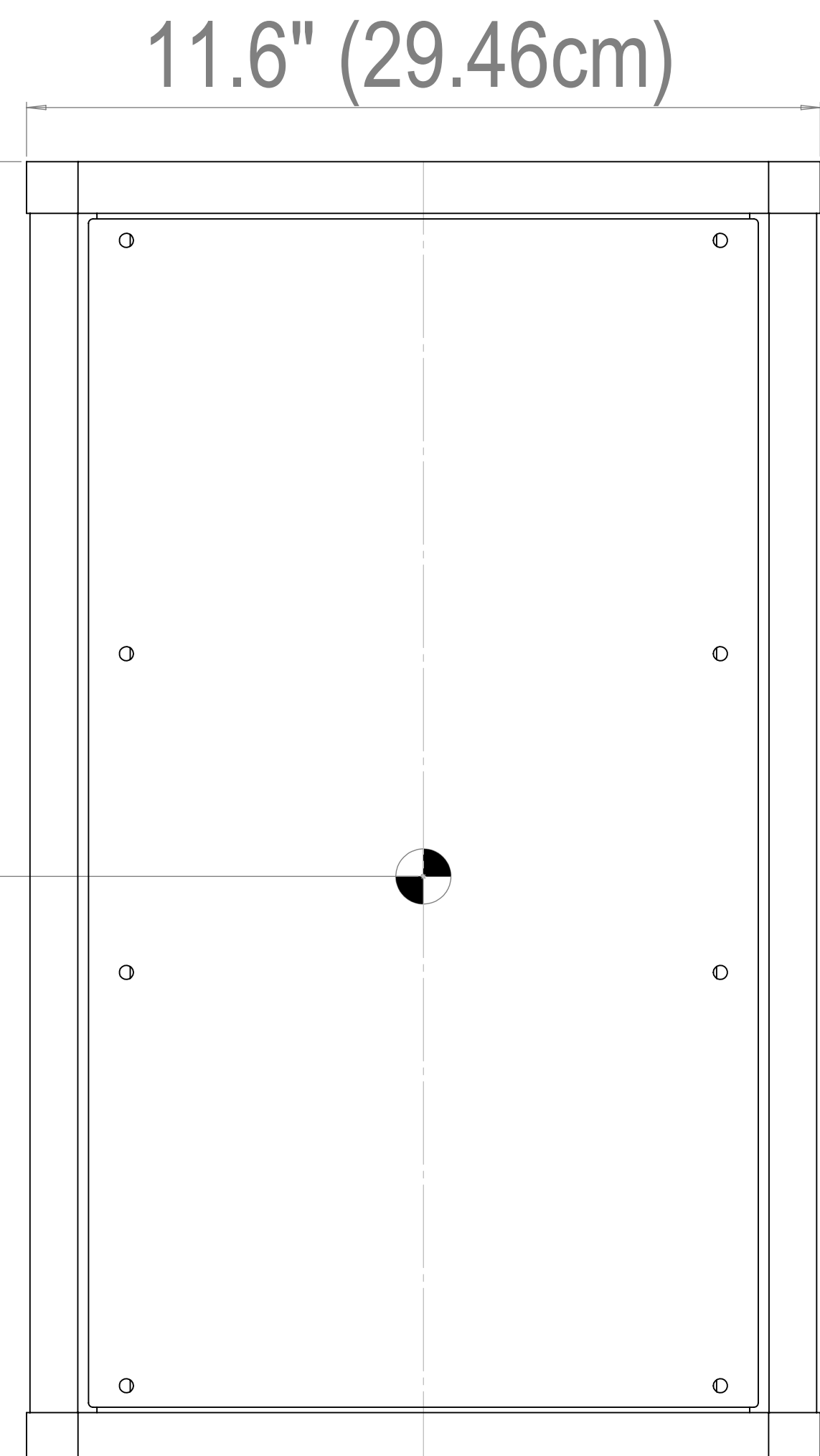
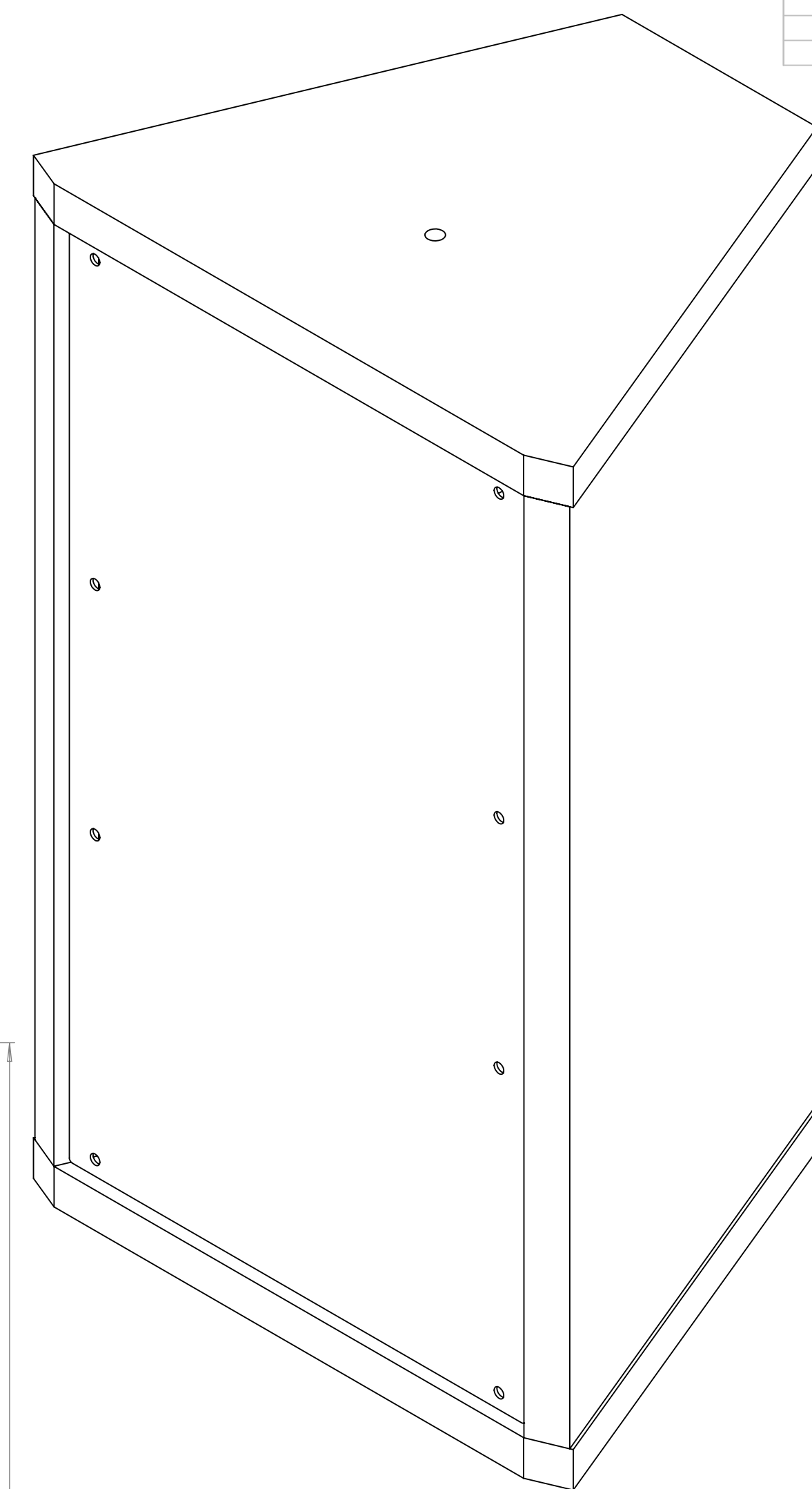
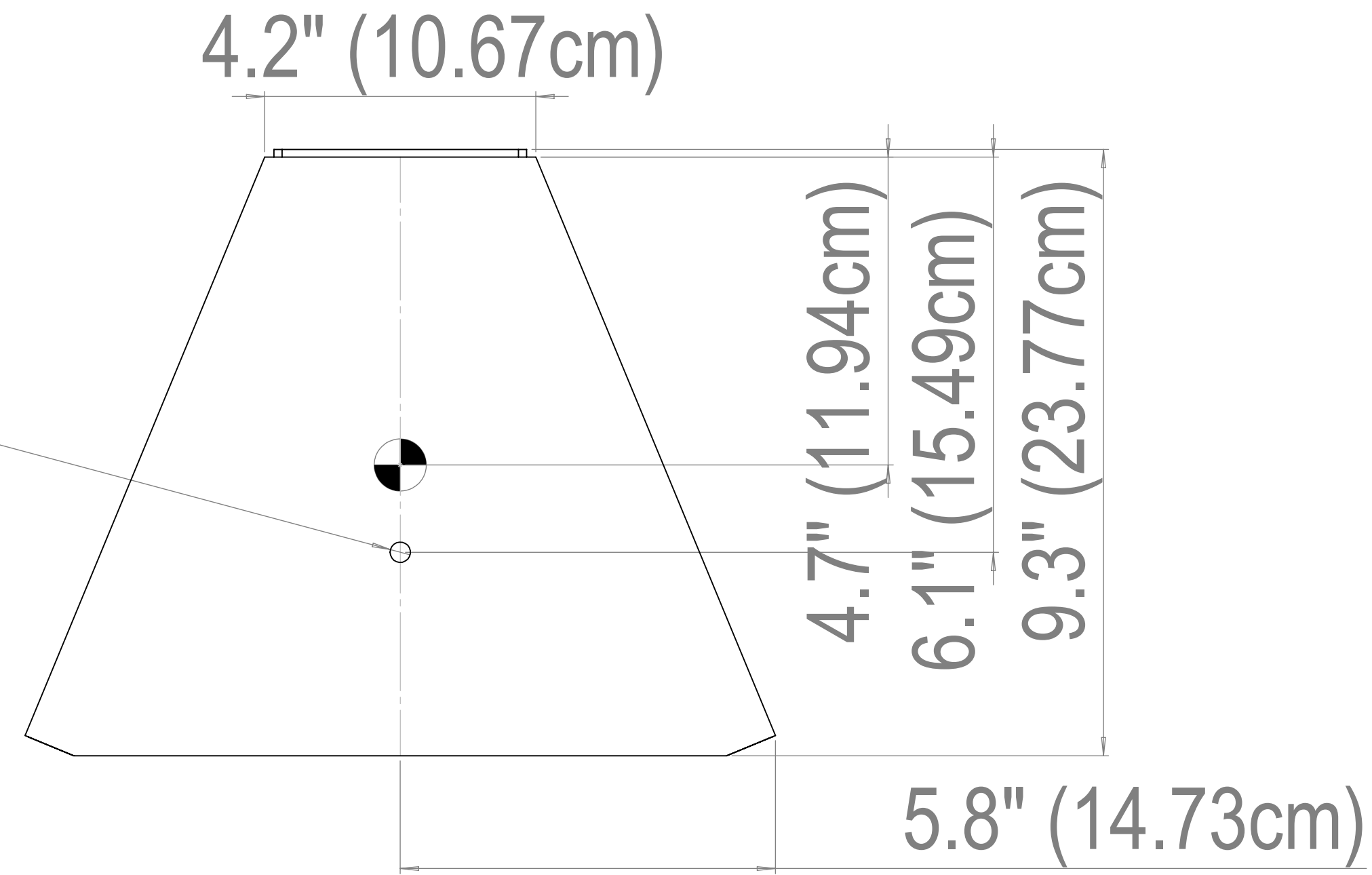


REVISIONS				
REV.	ECO NO.	DESCRIPTION	DATE	APPROVED
A		RELEASED	07132015	RDJ

1/4-20 THREADED HOLE TOP AND BOTTOM



● = CENTER OF GRAVITY

THE INFORMATION IN THIS DOCUMENT IS THE PROPERTY OF KLIPSCH L.L.C. AND CONTAINS PROPRIETARY AND CONFIDENTIAL INFORMATION. THIS DOCUMENT IS GIVEN FOR THE PURPOSE OF QUOTATION OR PROCUREMENT AND THE INFORMATION CONTAINED HEREIN SHALL NOT BE DISCLOSED TO OTHERS, OR BE DUPLICATED FOR ANY OTHER PURPOSE WITHOUT THE EXPRESS WRITTEN CONSENT OF KLIPSCH L.L.C.

WHERE USED	MATERIAL SPECIFICATIONS

TOLERANCES UNLESS OTHERWISE SPECIFIED
DECIMAL
.XXX ± .020
FRACTION
± 1/64
ANGLE
± 1°
FINISH
32 [0.8]

DO NOT SCALE	
APPROVALS	
SIGNATURES	DATE
ORIGINATOR:	
CHECKER:	
ENGINEER: RDJ	
MFG ENG:	
REVISED BY:	

**Klipsch**  
AUDIO TECHNOLOGIES  
137 COUNTY ROAD # 278  
HOPE, AR 71801

**KI-102-II-SMA ARCH DRAWING**

DWG. NO. **D105041**

SCALE: 1:2 SHEET: 1 OF 1