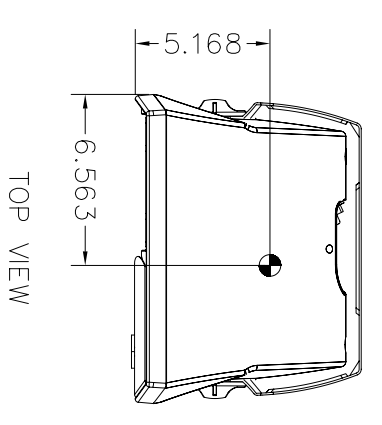
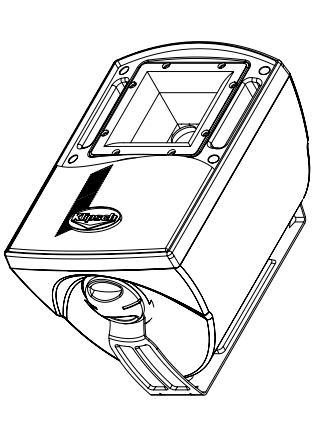


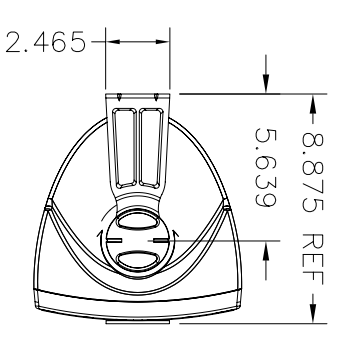
THIS SYMBOL REPRESENTS THE CENTER OF GRAVITY.



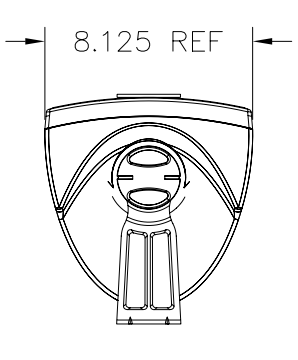
TOP VIEW



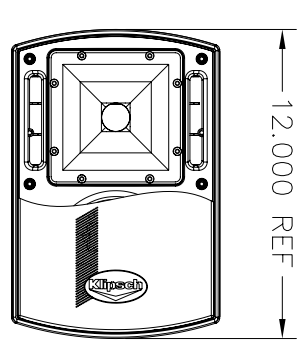
ISOMETRIC VIEW



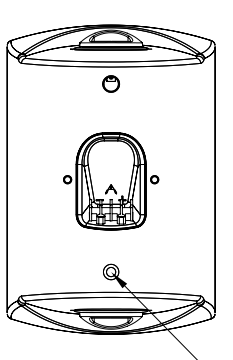
SIDE VIEW



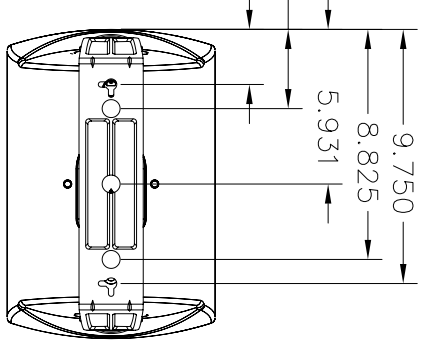
SIDE VIEW



FRONT VIEW



BACK VIEW WITHOUT BRACKET



BACK VIEW

REV#	REV. NO.	DESCRIPTION	DATE	APPROVED

<p>Klipsch AUDIO TECHNOLOGIES 137 COUNTY ROAD 278 MDF, ARKANSAS 71601</p>		<p>DATE: 05/02/10 X: 1 Y: 1 Z: 1 XXX: 1008</p>	<p>WHERE USED</p>
<p>TOLERANCES UNLESS OTHERWISE SPECIFIED</p> <p>DECIMAL: ± 0.02 (± 0.001) FRACTION: ± 1/64 ANGLE: ± 1° FINISH: 32/ (0.8)/</p>	<p>DO NOT SCALE</p>	<p>APPROVALS</p> <p>SIGNATURES: [] DATE: []</p> <p>DRAWN BY: [] CHECKED BY: [] ENGINEER: [] MFG ENG: []</p>	<p>TITLE: CA-525 2D ARCH</p>
<p>THE INFORMATION IN THIS DOCUMENT IS THE PROPERTY OF KLIPSCH LLC. NO PART OF THIS DOCUMENT IS TO BE REPRODUCED OR TRANSMITTED IN ANY FORM OR BY ANY MEANS, ELECTRONIC OR MECHANICAL, INCLUDING PHOTOCOPYING, RECORDING, OR BY ANY INFORMATION STORAGE AND RETRIEVAL SYSTEM, WITHOUT THE WRITTEN CONSENT OF KLIPSCH LLC.</p>		<p>32/ (0.8)/</p>	<p>DATE: 05/02/10</p>