

4

3

2

1

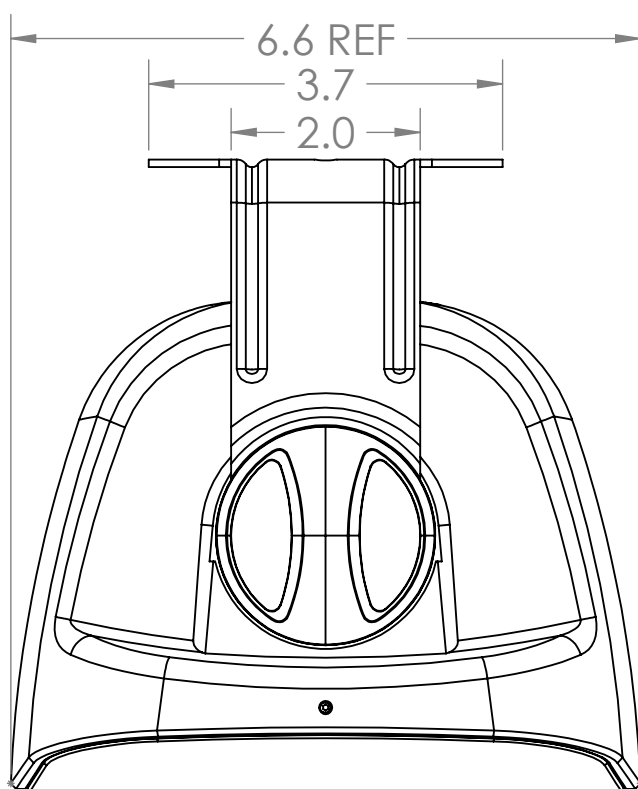
DWG. NO. D106799

REV. A

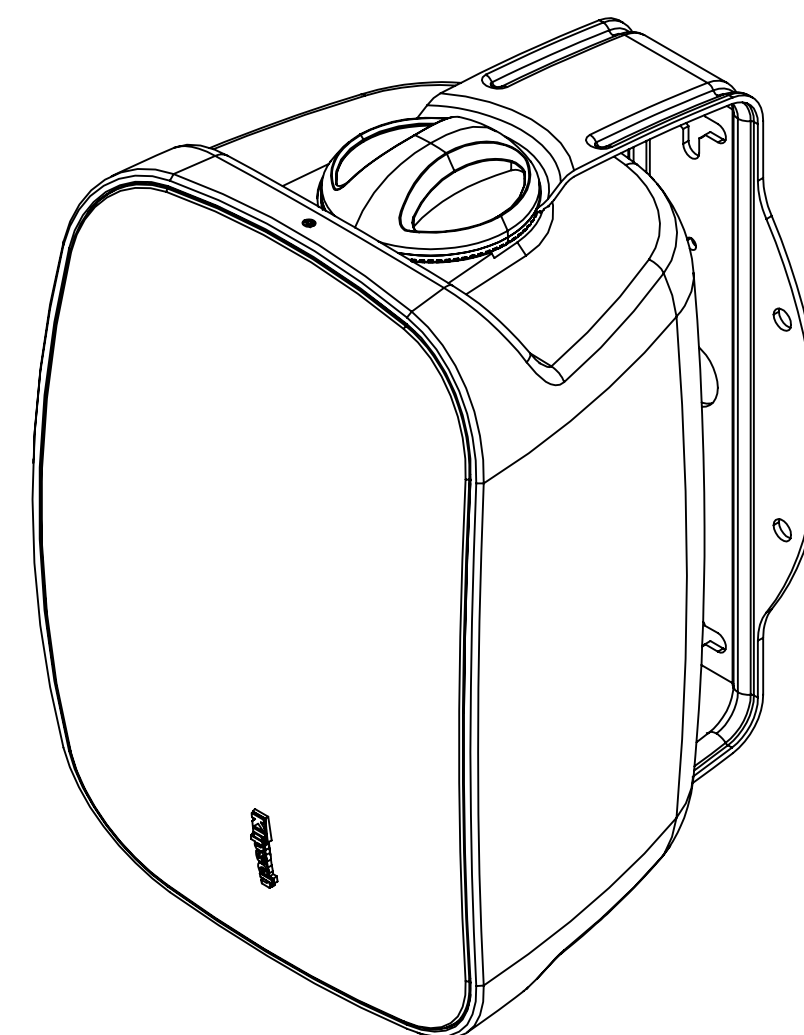
REVISIONS

REV.	ECN NO.	DESCRIPTION	DATE	APPROVED

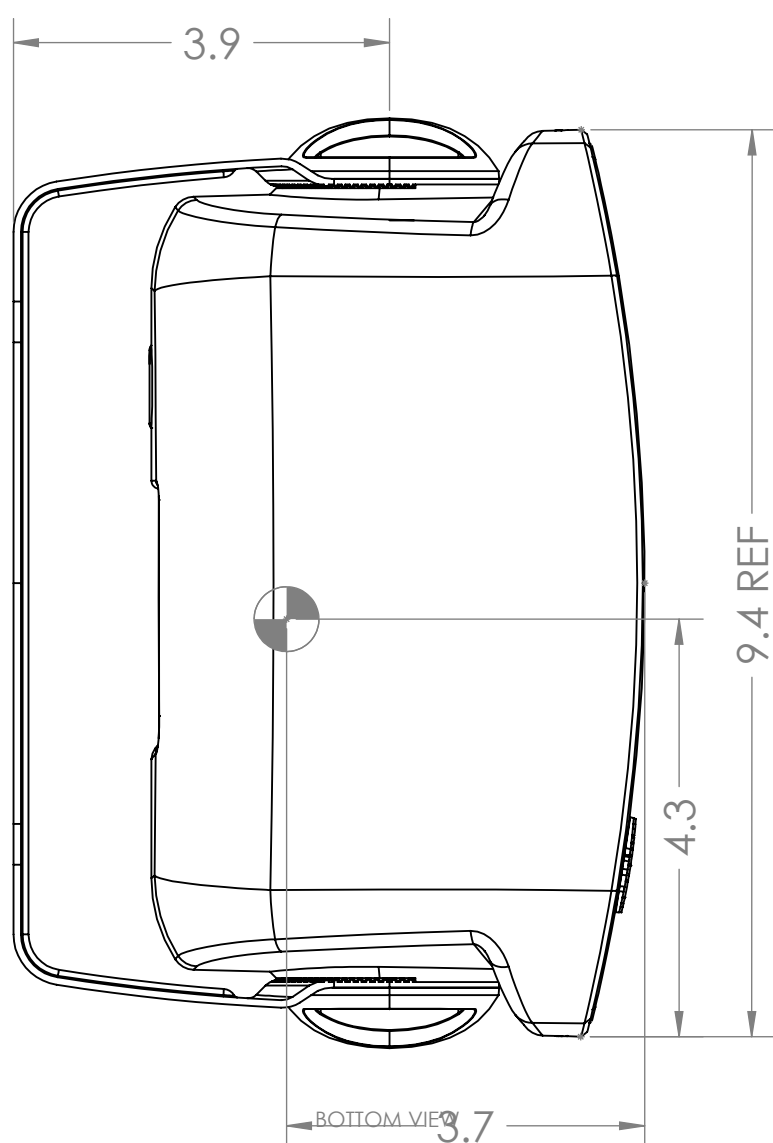
THIS SYMBOL REPRESENTS CENTER OF GRAVITY



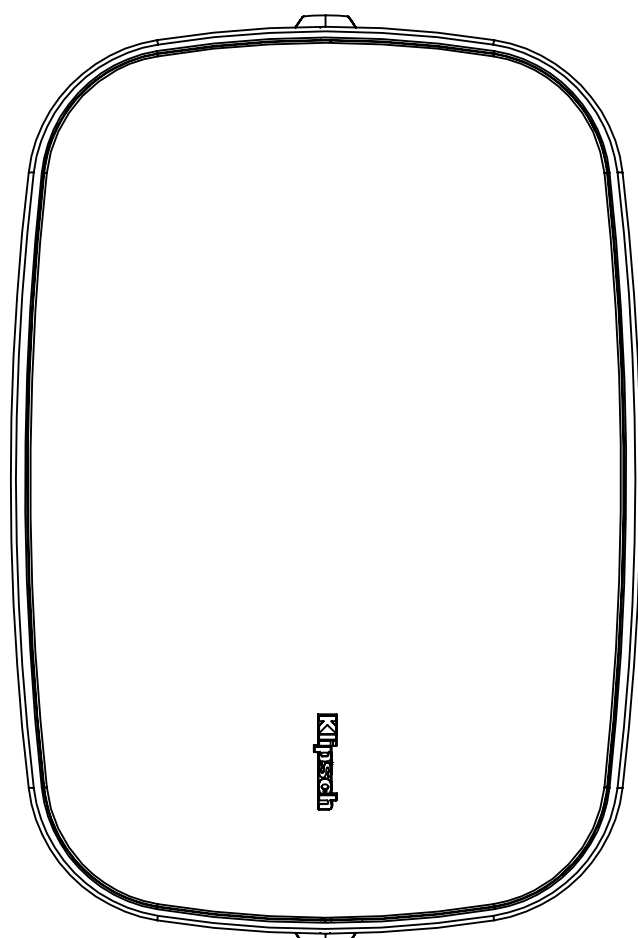
SIDE VIEW



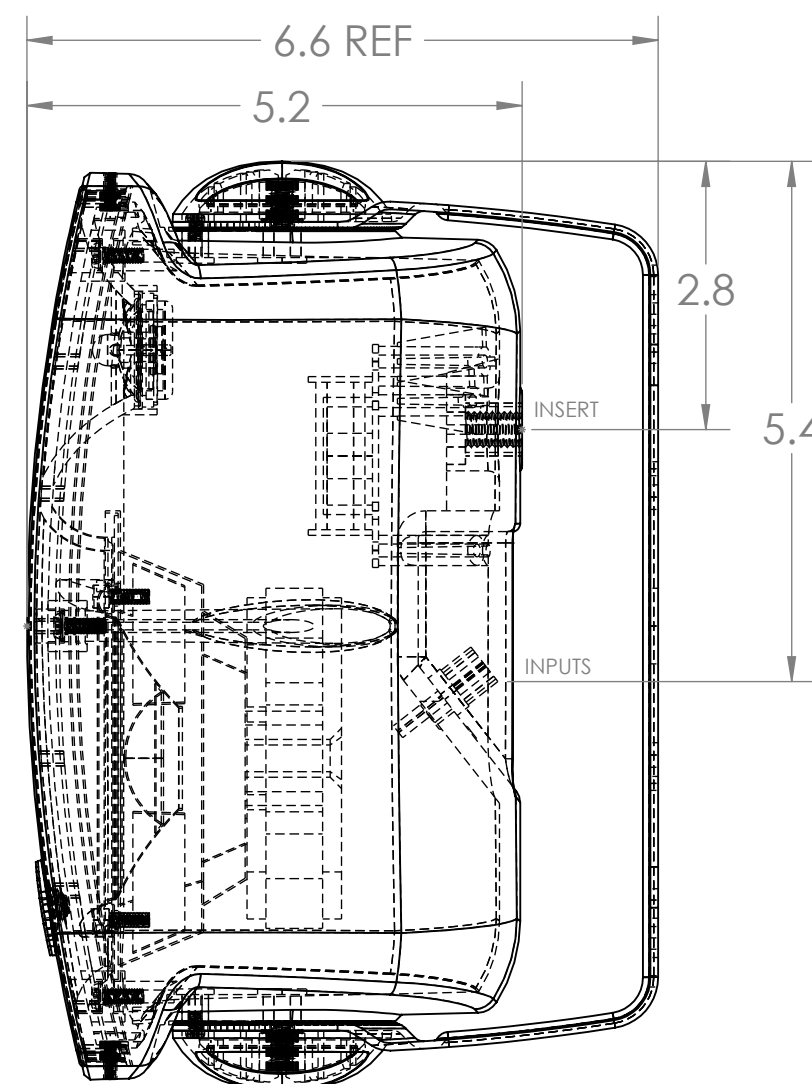
ISOMETRIC VIEW



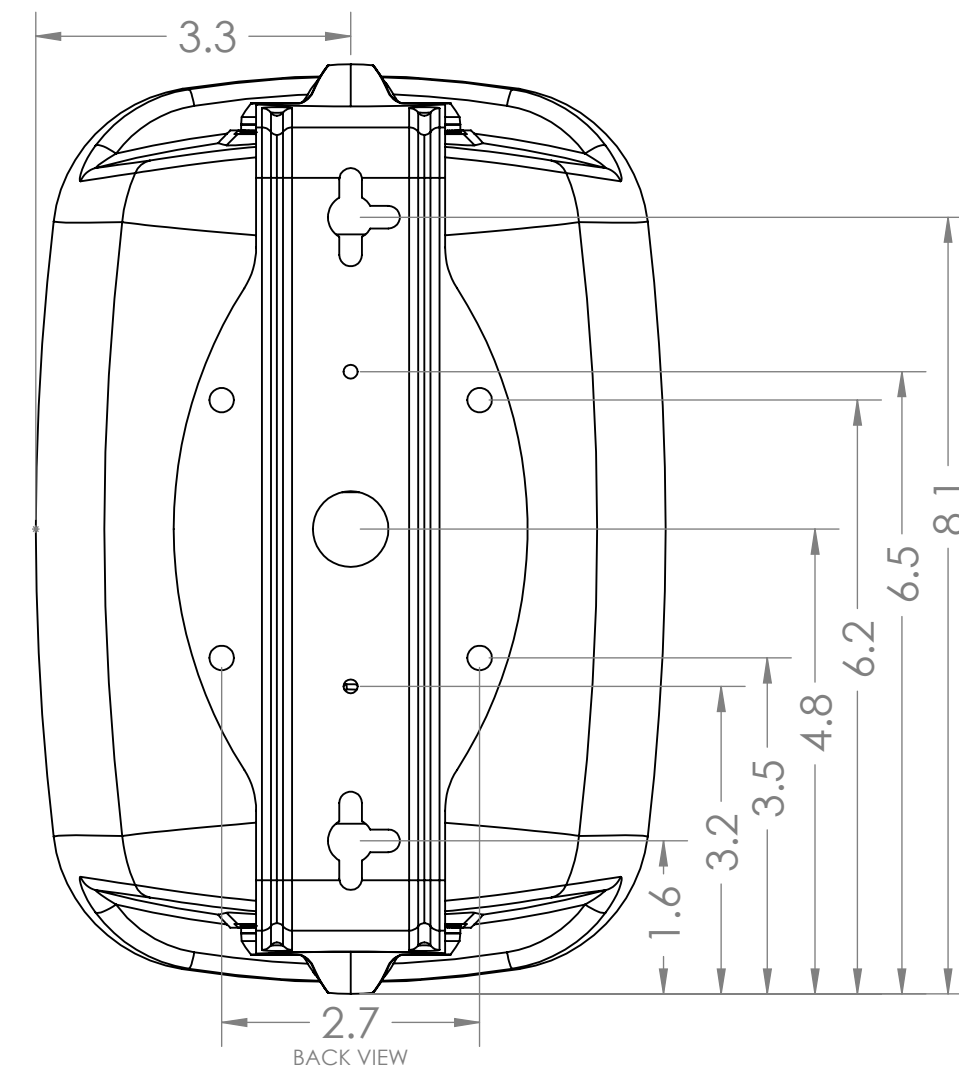
BOTTOM VIEW



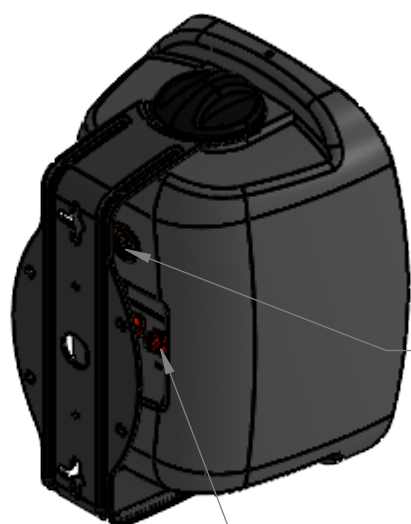
FRONT VIEW



TOP VIEW



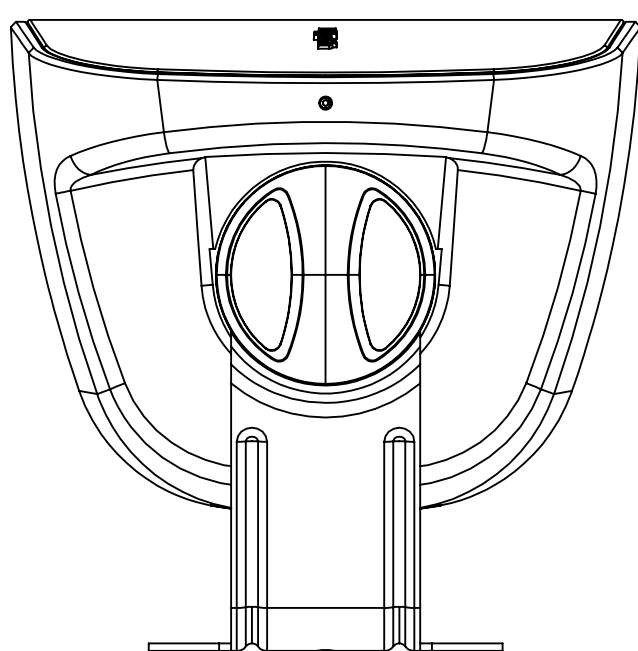
BACK VIEW



SCALE 1:4

3/8 - 16 UNC
3/4 DEEP
THREADED INSERT

INPUTS



SIDE VIEW

THE INFORMATION IN THIS DOCUMENT IS THE PROPERTY OF KLIPSCH GROUP INC. AND CONTAINS PROPRIETARY AND CONFIDENTIAL INFORMATION. THIS DOCUMENT IS GIVEN FOR THE PURPOSE OF QUOTATION OR PROCUREMENT AND THE INFORMATION CONTAINED HEREIN SHALL NOT BE DISCLOSED TO OTHERS, OR BE DUPLICATED FOR ANY OTHER PURPOSE WITHOUT THE EXPRESS WRITTEN CONSENT OF KLIPSCH GROUP INC.

WHERE USED

MATERIAL SPECIFICATIONS

TOLERANCES
UNLESS OTHERWISE SPECIFIED

DECIMAL	FRACTION
.X ± .02	± 1/64
.XX ± .01	± 1°
.XXX ± .005	FINISH

DO NOT SCALE

APPROVALS

SIGNATURES	DATE
ORIGINATOR: JLB	052224
CHECKER:	
ENGINEER:	
MFG ENG:	
REVISED BY:	



Klipsch

AUDIO GROUP INC.
137 HEMPSTEAD ROAD,
#278
HOPE, AR 71802

RSM-400
ARCHITECTURAL DRAWING

SIZE C DWG. NO. D106799 REV. A
DIM: INCH [METRIC] SCALE: 1:2 SHEET: 1 OF 1

4

3

2

1