

4

3

2

1

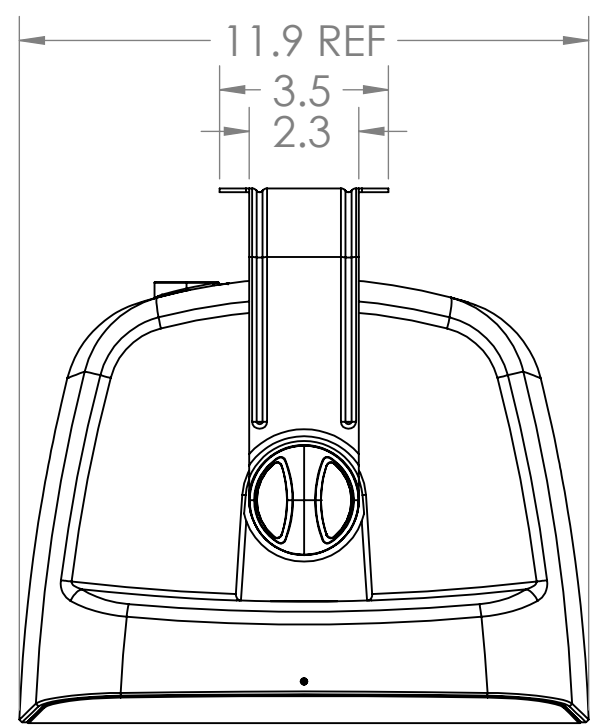
DWG. NO. D106798

REV. A

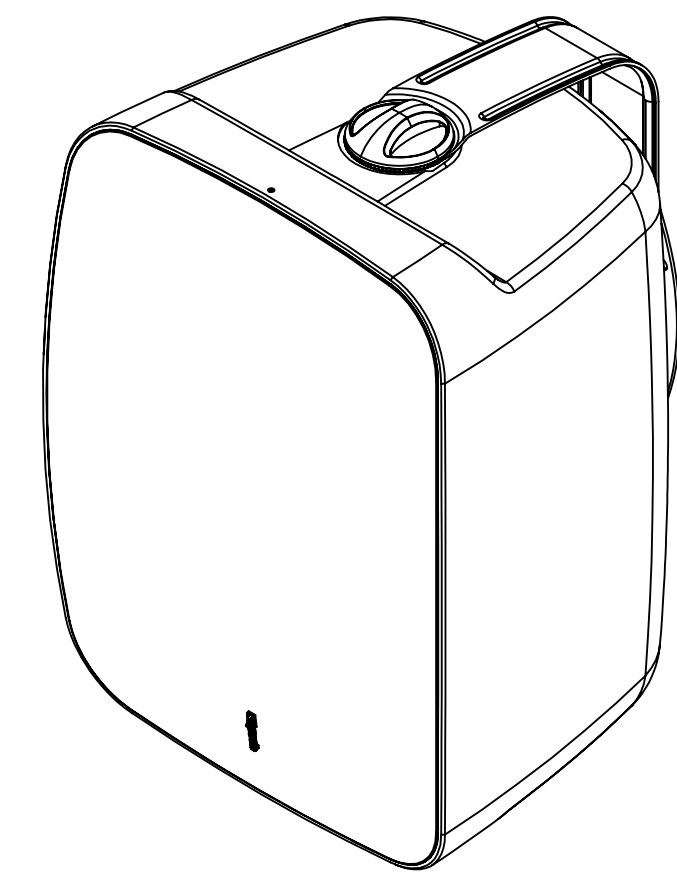
REVISIONS

REV.	ECN NO.	DESCRIPTION	DATE	APPROVED

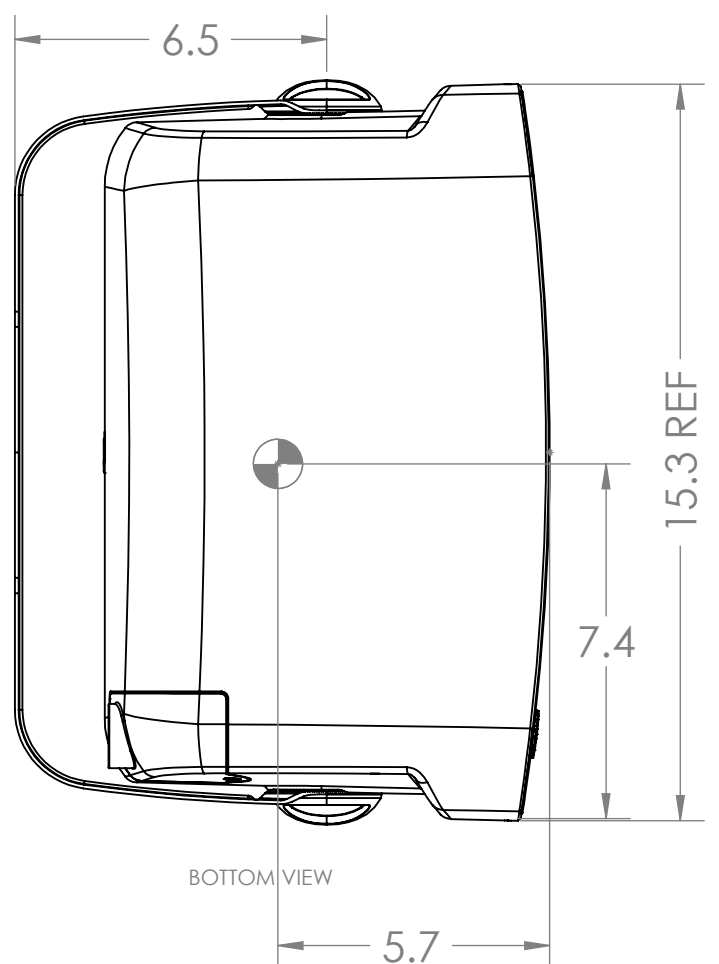
THIS SYMBOL REPRESENTS CENTER OF GRAVITY



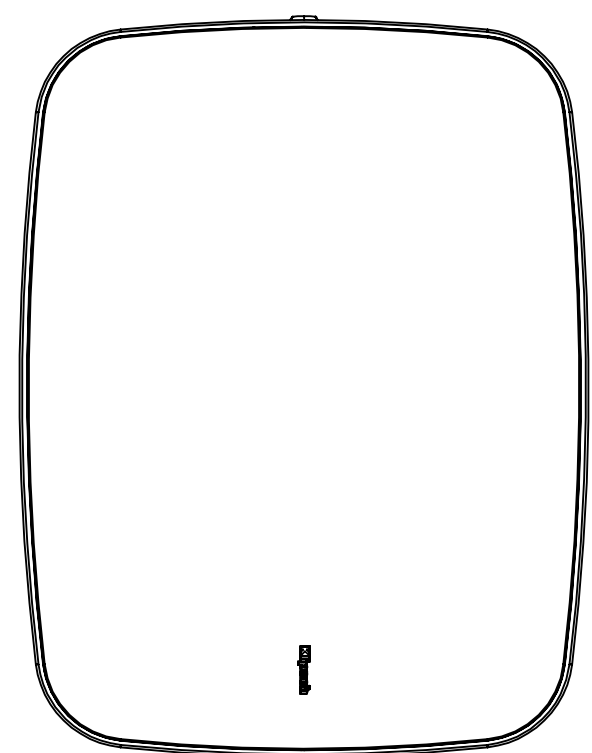
SIDE VIEW



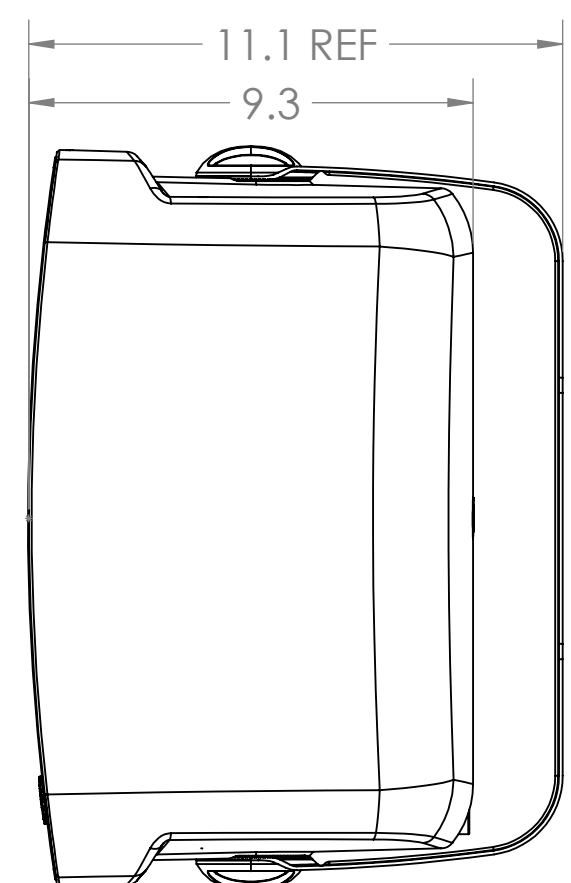
ISOMETRIC VIEW



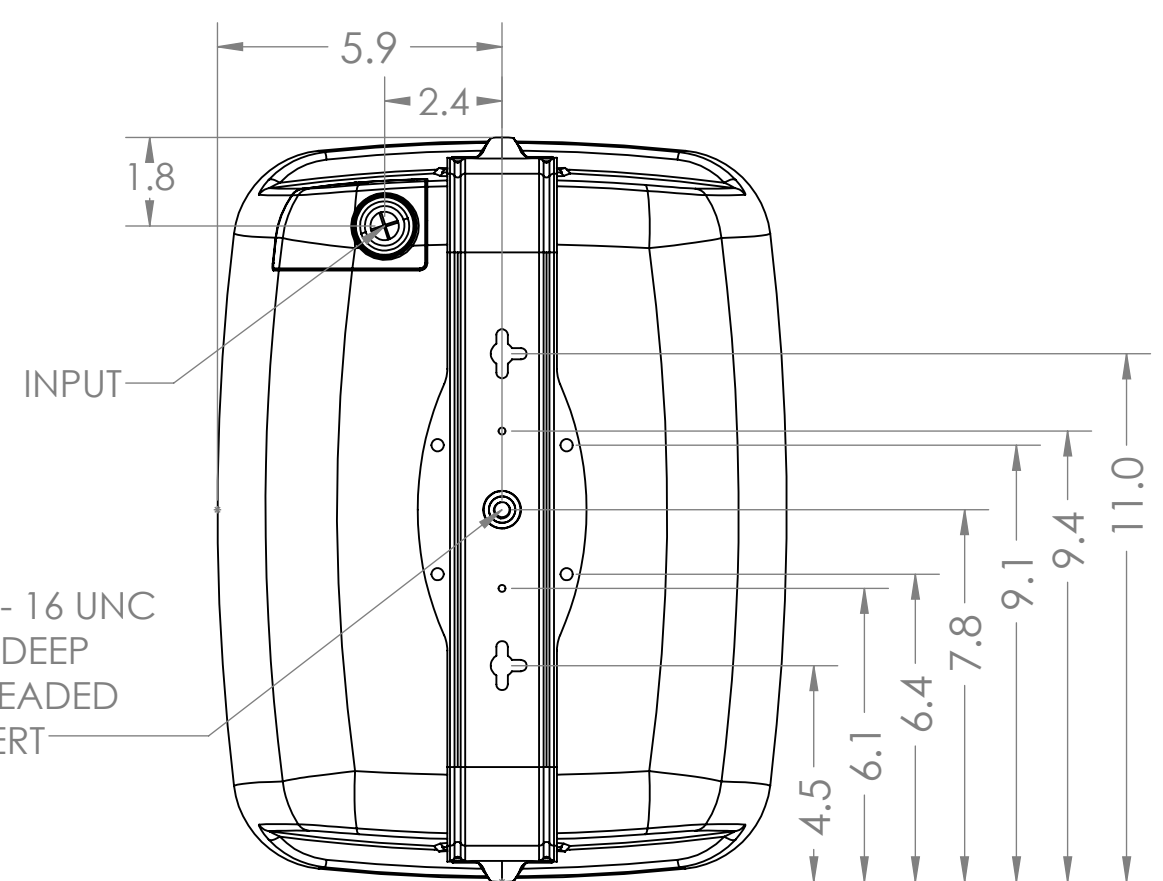
BOTTOM VIEW



FRONT VIEW

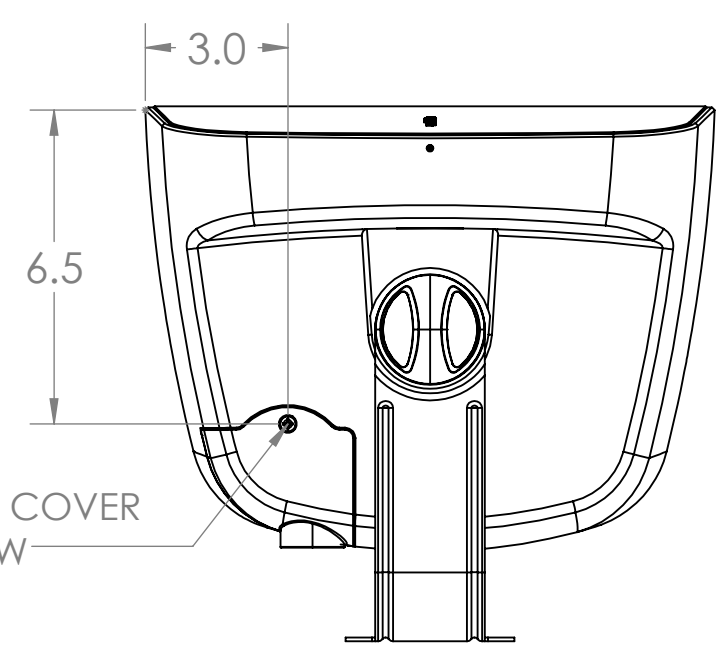


TOP VIEW



BACK VIEW

3/8 - 16 UNC  
3/4 DEEP  
THREADED  
INSERT



SIDE VIEW

INPUT COVER  
SCREW

**TOLERANCES**  
UNLESS OTHERWISE SPECIFIED

DECIMAL	FRACTION
.X ± .02	± 1/64
.XX ± .01	± 1°
.XXX ± .005	FINISH

DO NOT SCALE

APPROVALS

SIGNATURES	DATE
ORIGINATOR: JLB	052124
CHECKER:	
ENGINEER:	
MFG ENG:	
REVISED BY:	



**Klipsch**  
AUDIO GROUP INC.  
137 HEMPSTEAD ROAD  
HOPE, AR 71802

THE INFORMATION IN THIS DOCUMENT IS THE PROPERTY OF KLIPSCH GROUP INC. AND CONTAINS PROPRIETARY AND CONFIDENTIAL INFORMATION. THIS DOCUMENT IS GIVEN FOR THE PURPOSE OF QUOTATION OR PROCUREMENT AND THE INFORMATION CONTAINED HEREIN SHALL NOT BE DISCLOSED TO OTHERS, OR BE DUPLICATED FOR ANY OTHER PURPOSE WITHOUT THE EXPRESS WRITTEN CONSENT OF KLIPSCH GROUP INC.

WHERE USED	MATERIAL SPECIFICATIONS

TITLE: **PSM-800-T/RSM-800 ARCHITECTURAL DRAWING**

SIZE C DWG. NO. D106798 REV. A  
DIM: INCH [METRIC] SCALE: 1:4 SHEET: 1 OF 1

4

3

2

1

DWG. NO. D106798

REV. A