

6

5

4

3

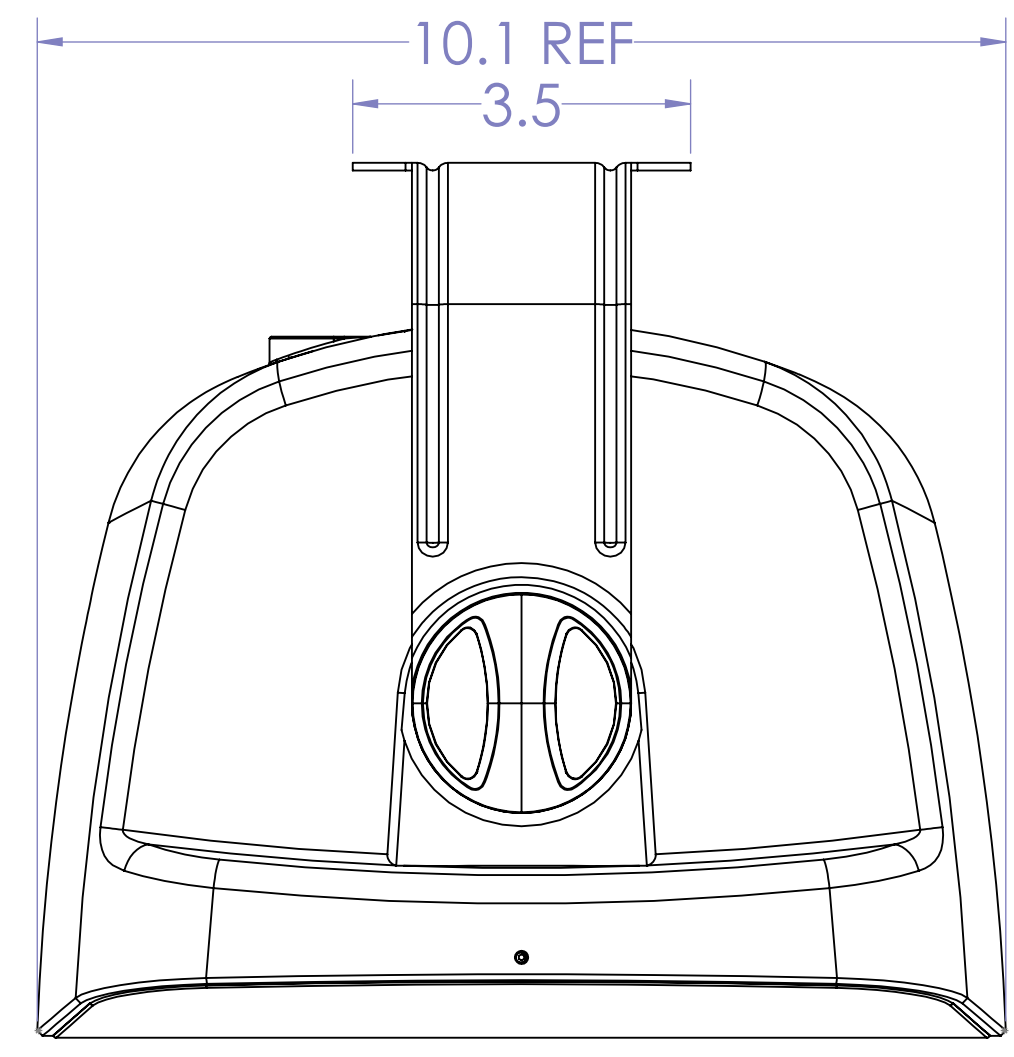
2

1

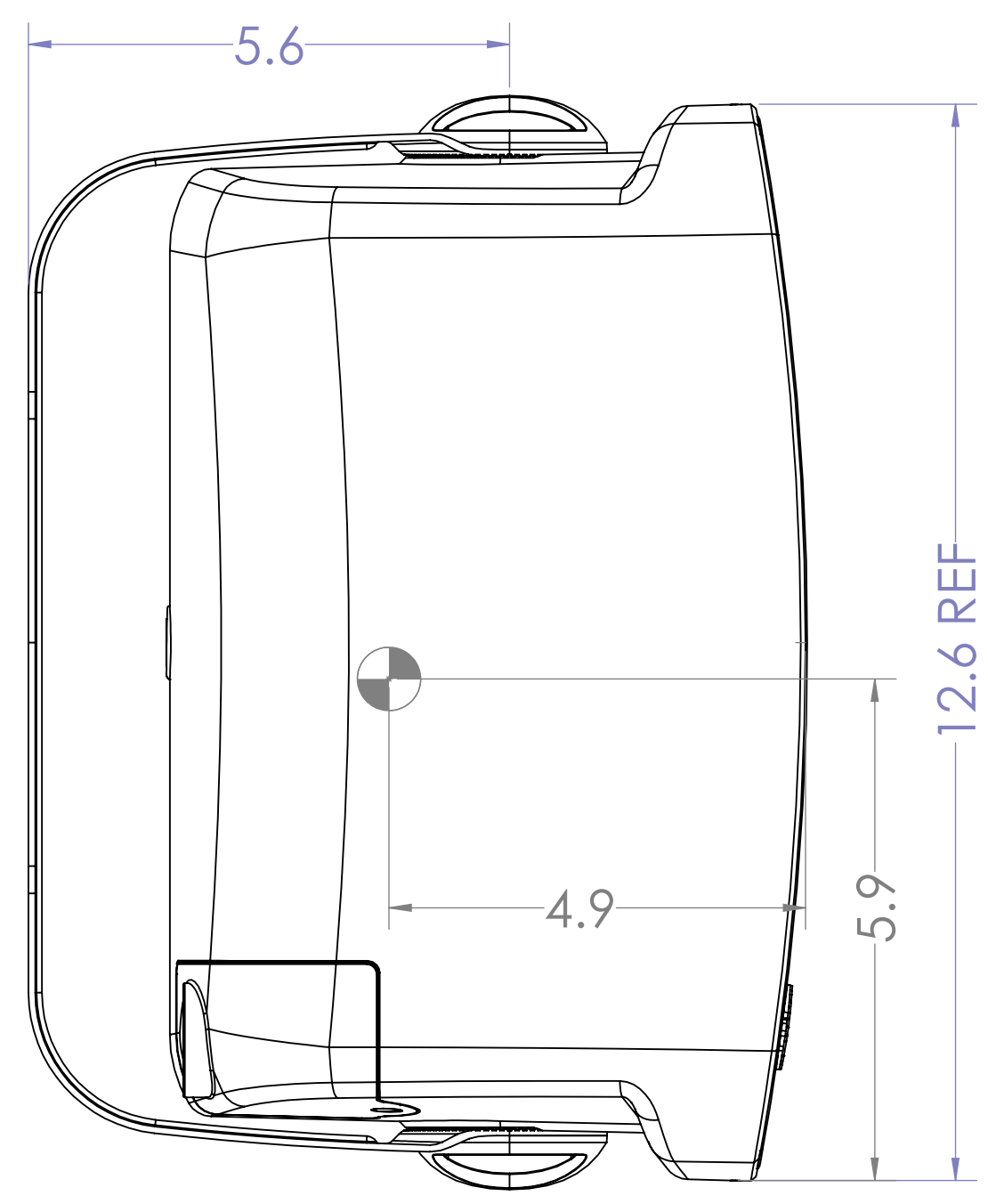
DWG. NO. D106793 REV. A

REVISIONS				
REV.	ECO. NO.	DESCRIPTION	DATE	APPROVED

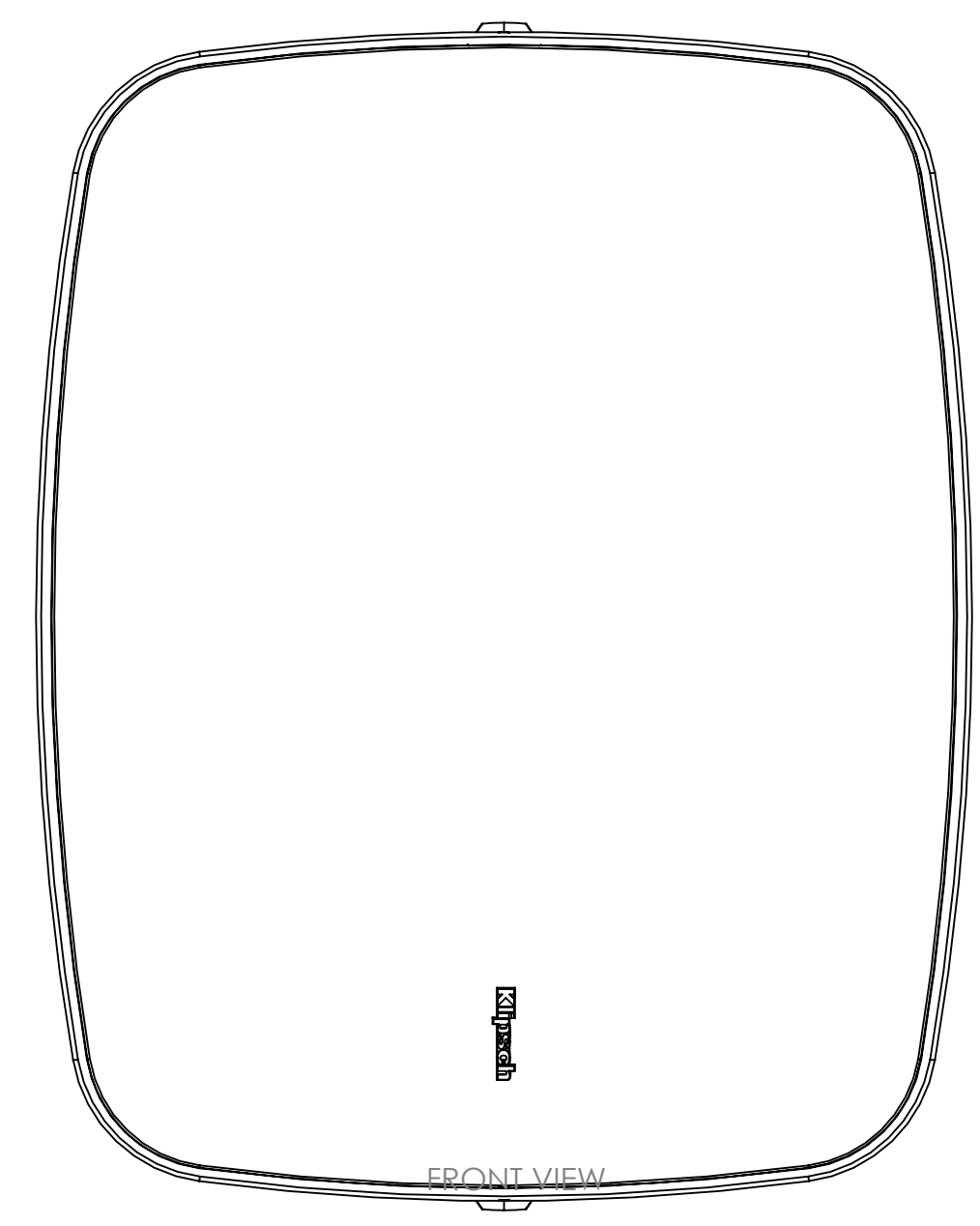
 THIS SYMBOL REPRESENTS CENTER OF GRAVITY



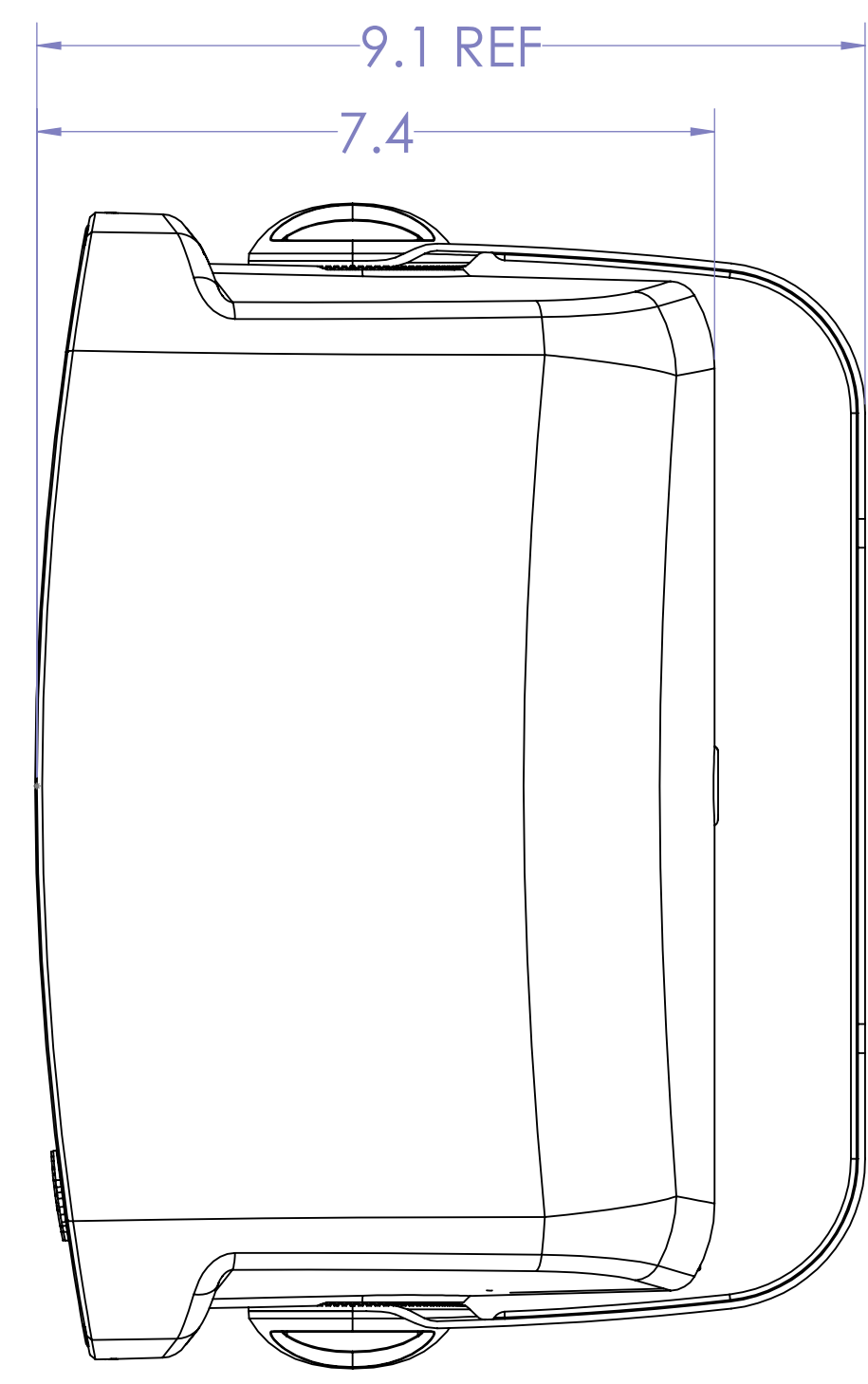
SIDE VIEW



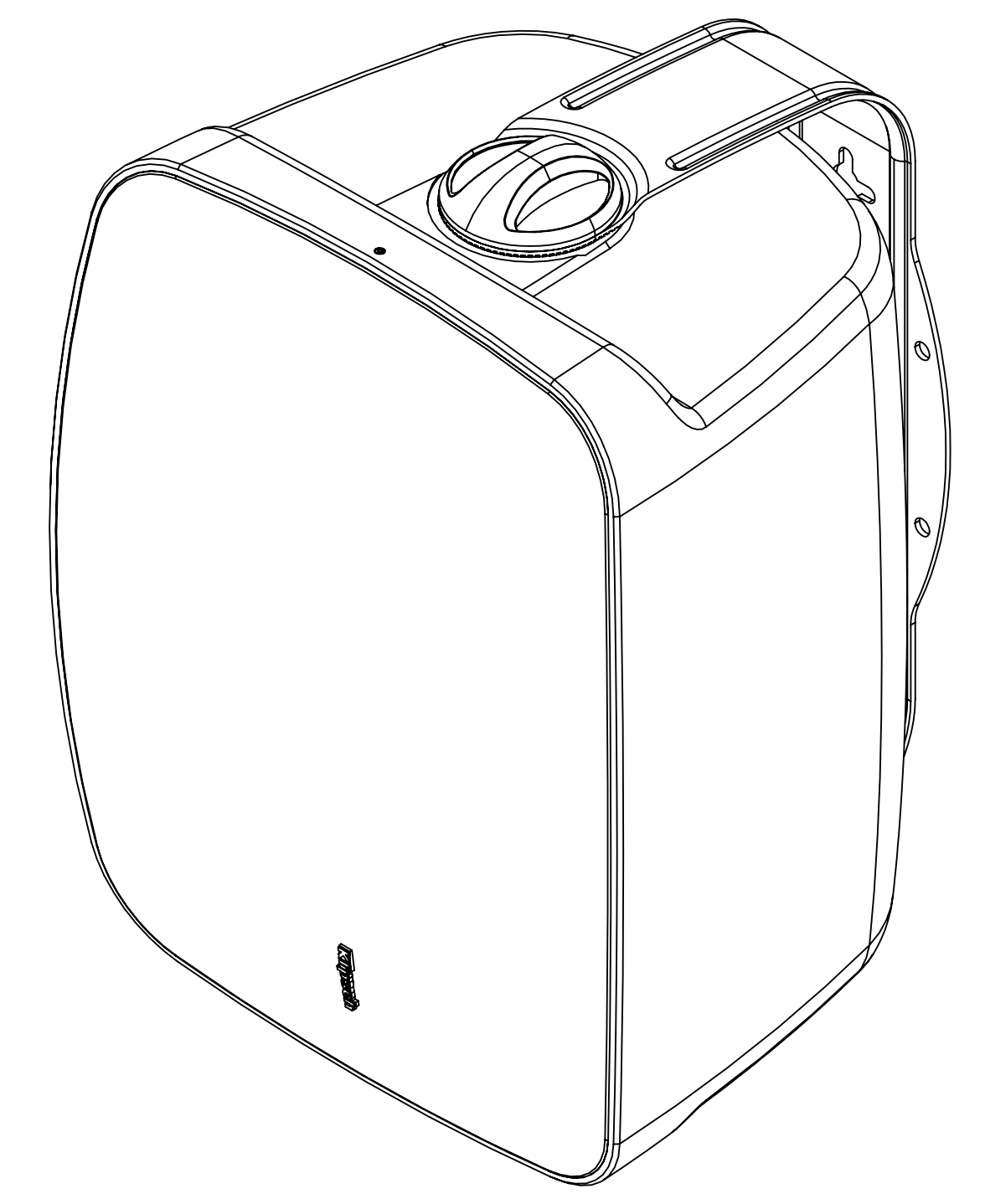
BOTTOM VIEW



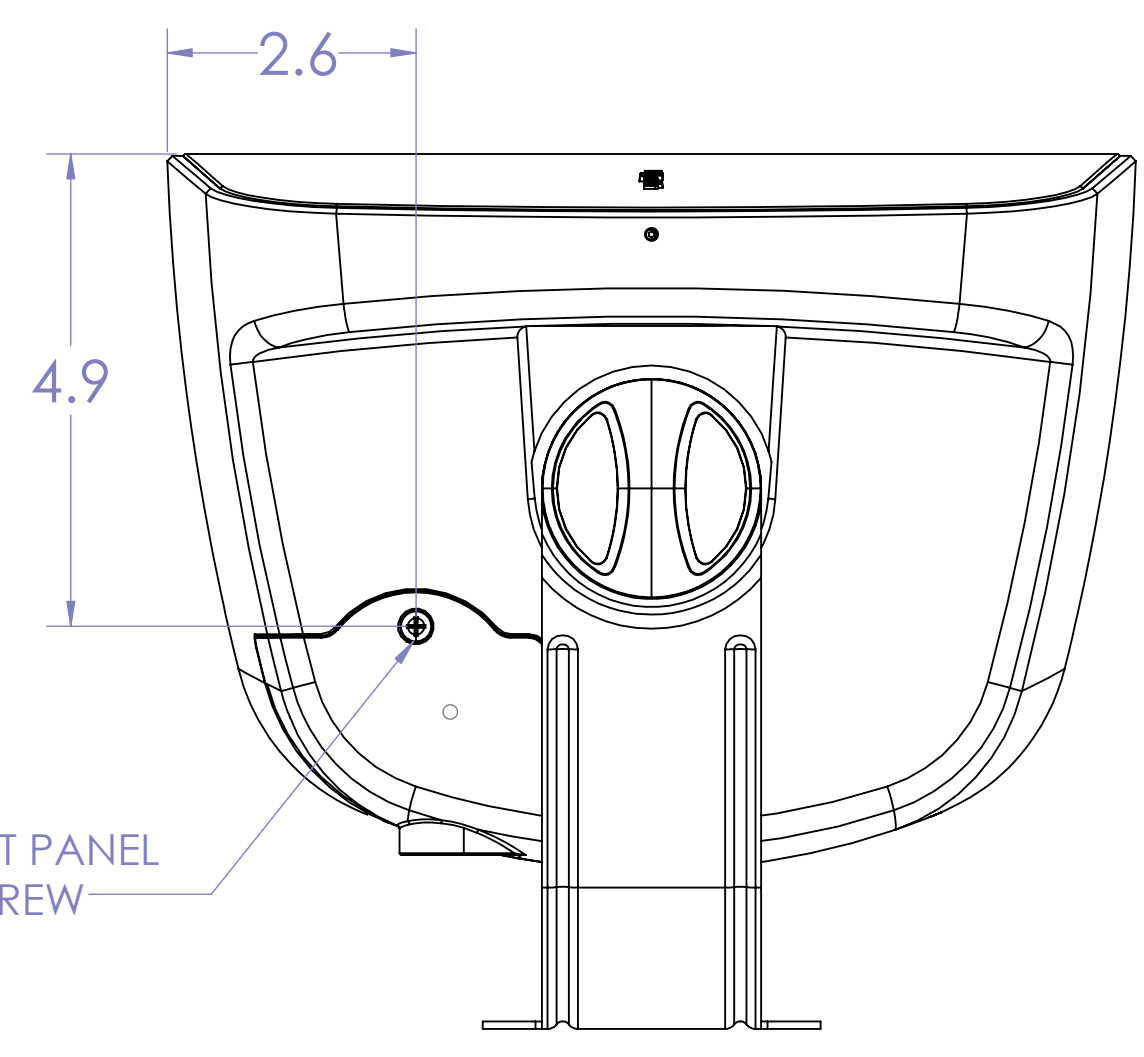
FRONT VIEW



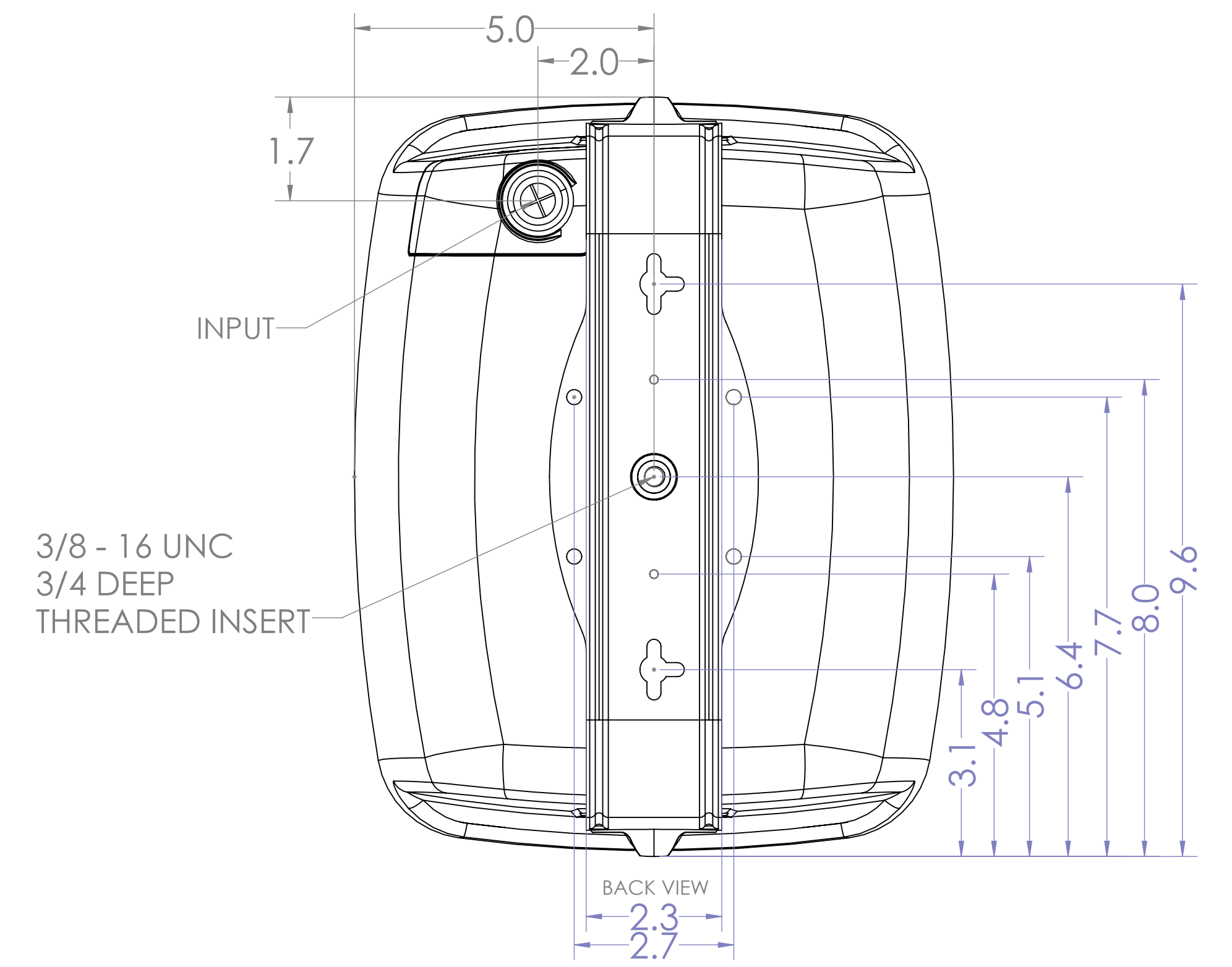
TOP VIEW



ISOMETRIC VIEW



SIDE VIEW



BACK VIEW

3/8 - 16 UNC  
3/4 DEEP  
THREADED INSERT

INPUT

<p><small>THE INFORMATION IN THIS DOCUMENT IS THE PROPERTY OF KLIPSCH GROUP INC. AND CONTAINS PROPRIETARY AND CONFIDENTIAL INFORMATION. THIS DOCUMENT IS GIVEN FOR THE PURPOSE OF QUOTATION OR PROCUREMENT AND THE INFORMATION CONTAINED HEREIN SHALL NOT BE DISCLOSED TO OTHERS, OR BE REPRODUCED FOR ANY OTHER PURPOSE WITHOUT THE EXPRESS WRITTEN CONSENT OF KLIPSCH AUDIO GROUP INC.</small></p>	<p>WHERE USED</p>	<p>TOLERANCES UNLESS OTHERWISE SPECIFIED</p> <p>DECIMAL .XXX ± .020</p> <p>FRACTION ± 1/64</p> <p>ANGLE ± 1°</p> <p>FINISH 32 [0.8]</p>	<p><b>DO NOT SCALE</b></p> <p>APPROVALS</p> <p>SIGNATURES DATE</p> <p>ORIGINATOR: _____</p> <p>CHECKER: _____</p> <p>ENGINEER: _____</p> <p>MPG ENG: _____</p> <p>REVISED BY: _____</p>	<p><b>Klipsch</b></p> <p>AUDIO GROUP INC. 137 HEMPSTEAD ROAD # 278 HOPE, AR 71801</p>
	<p>MATERIAL SPECIFICATIONS</p>	<p>32 [0.8]</p>	<p>TITLE: <b>PSM-650-T/RSM-650 ARCHITECTURAL DRAWING</b></p> <p>DWG. NO. <b>D106793</b></p> <p>DIM: INCH (METRIC) SCALE: 1:2 SHEET: 1 OF 1</p>	<p>REV. A</p>